



**Catalogue**  
**CATERING**  
**Chapter**  
**COOKING**

**Model**  
**FT-G905 V R LPG 230V 1N**

19040226

14/12/2018

**GAS FRY-TOP, FT-G905 V R**

Fry-top plates or hot plates are designed to grill a large amount of products. They are particularly fast and heat is evenly distributed. Thanks to their high power, they reach working temperature in a short time.

2 mm stainless AISI-304 steel top with rounded edges for easy cleaning. Laser cut and automatic welding for a perfect side to side adjustment of modules with square angle finish.

The hot plate is made of 20 mm thick mild steel.

Hot plate integrated into the embedded top. Easy to clean thanks to the rounded edges and embedded construction. Minimum edge radius 3.5 mm for easier cleaning.

Plate and lodging made according to EN-202-3 standard for materials in contact with food.

The plate is slanted forward for an easier collection of fat and liquids.

Fitted with a cooking fat drainage hole and removable collecting tray.

Grooved surface plate to give food a grilled look finish.

Useful heating surface: 21.5 dm<sup>2</sup>. Dimensions: 335 x 640 mm.

Heating by means of a double branch gas burner.

Heating control by means of safety valve with thermocouple.

Electronic ignition. Access tube for manual ignition.

Optional three-piece anti splash removable shields for easy cleaning.

Water-tight and protecting-support controls.

High temperature protector for the chimney made of enamelled cast iron.

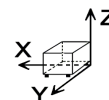
Front access to components.

According to European standards for components and panels temperature, efficiencies and combustion, and sanitary regulations (EN-60335 and EN-203)

IPX5 grade water protection equipment.

**DIMENSIONS**

X Width	400 mm	X Gross width	440 mm
Y Depth	930 mm	Y Gross depth	1022 mm
Z Height	290 mm	Z Gross height	535 mm
Net Weight	70,0 kg	Gross Weight	88,0 kg
Net volume	0,142 m <sup>3</sup>	Gross volume	0,241 m <sup>3</sup>



**ELECTRICITY TECHNICAL SPECIFICATIONS**

Electric power	0,100 kW
Voltage	230V - 1N
Amperage	2A
Electric frequency	50/60Hz

**GAS TECHNICAL SPECIFICATIONS**

Gas type	LPG
Gas power	9,25 kW
Gas consumption	0,720 kg/h
Regulated	LPG G30/G31 28-30/37 mbar NG G20/G25/G25.1 20/25/25 mbar



Catalogue  
**CATERING**

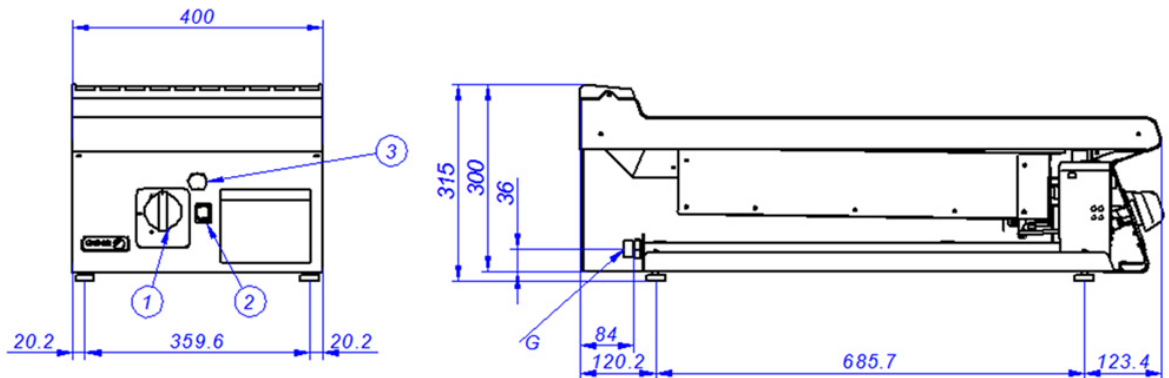
Chapter  
**COOKING**

Model  
**FT-G905 V R LPG 230V 1N**

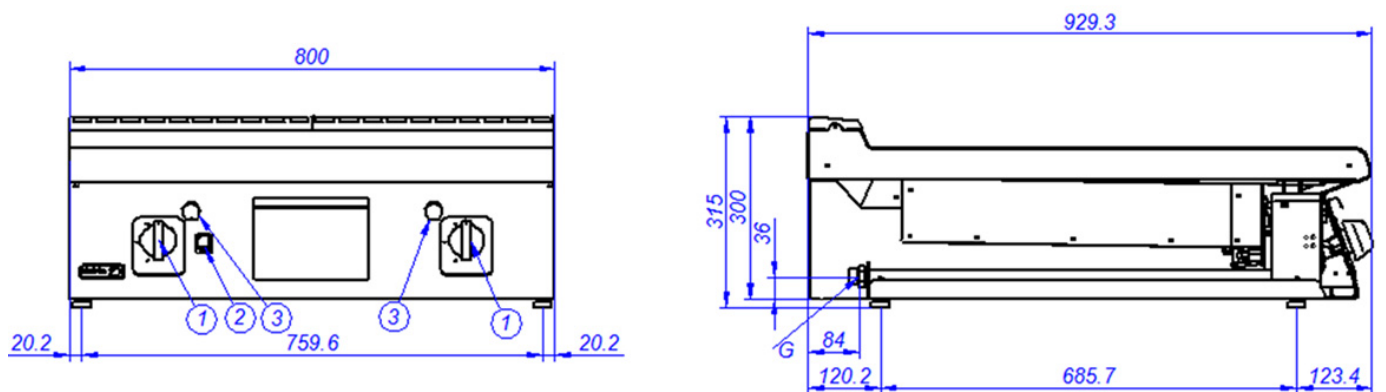
19040226

14/12/2018

## **FT-G905**



## **FT-G910**



- G. Entrada de Gas
- 1. Válvula de gas
- 2. Pulsador tren de chispas
- 3. Orificio de encendido manual

- Gas Inlet
- Gas valve
- Piezoelectric ignitor
- Manual ignition hole