



Catalogue
CATERING
Chapter
COOKING

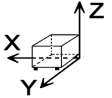
Model
FG7-10 LPG 230V 1N 50Hz 2C

19006586

30/05/2019

GAS FRYER, FG7-10 - 2C
 Made of stainless steel
 Capacity: two 15 litre oil/well.
 Tank equipment: 1 basket 250x280 mm by tank.
 Cast iron burners.
 Thermostats temperature control 60 °C to 195 °C.
 Automatic burner ignition by means of an electromagnetic valve, with pilot light and thermocouple.
 Safety thermostat.
 Drainage taps.

DIMENSIONS



X Width	700 mm	X Gross width	740 mm
Y Depth	775 mm	Y Gross depth	850 mm
Z Height	850 mm	Z Gross height	1060 mm
Net Weight	100,0 kg	Gross Weight	114,0 kg
Net volume	0,461 m3	Gross volume	0,667 m3

ELECTRICITY TECHNICAL SPECIFICATIONS

Electric power	0,100 kW
Voltage	230V - 1N
Amperage	4A
Electric frequency	50Hz

GAS TECHNICAL SPECIFICATIONS

Gas type	LPG
Gas power	30,00 kW
Gas consumption	2,497 kg/h
Regulated	LPG G30/G31 28-30/37 mbar NG G20/G25/G25.1 20/25/25 mbar

CONNECTIONS TECHNICAL SPECIFICATIONS

Single-phase 230V wiring	2X1,5+T - 2 A
Gas diameter 1	R.3/4"G
Gas 2 diameter	R.3/4"G



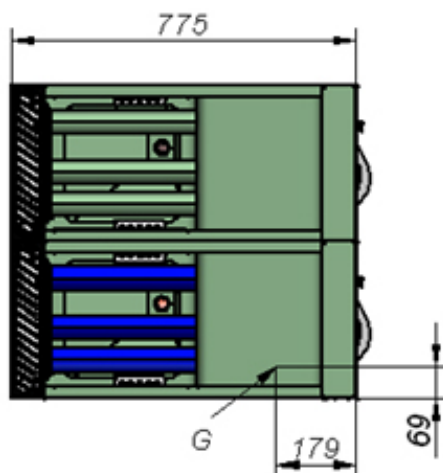
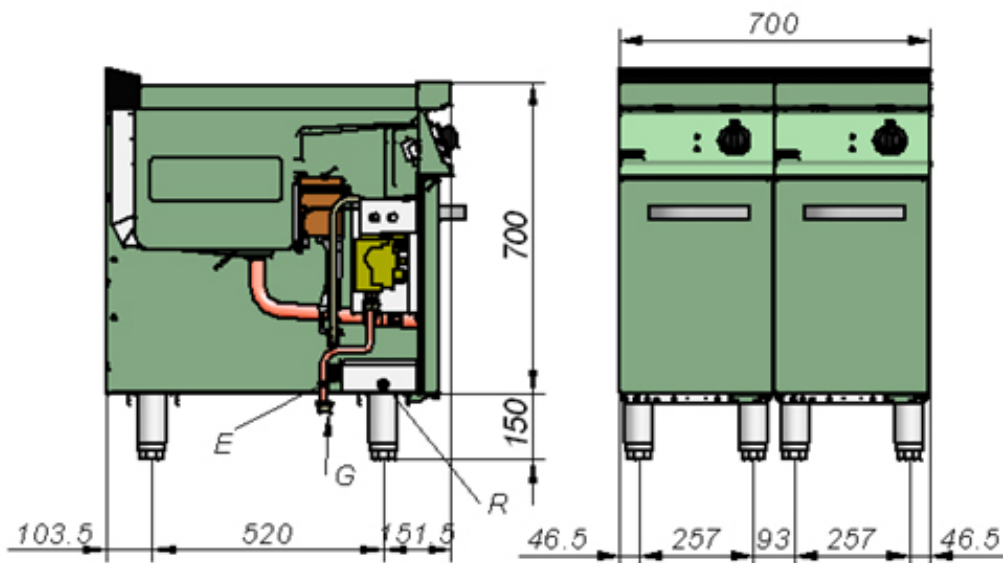
Catalogue
CATERING

Chapter
COOKING

Model
FG7-10 LPG 230V 1N 50Hz 2C

19006586

30/05/2019



G:Entrada de gas
R: Regleta
E: Cuadro Electrico

G:Gas inlet
R: Terminal strip
E: Switchboard