



**Catalogue**  
**CATERING**  
**Chapter**  
**COOKING**

**Model**  
 FE7-10 380-415V 3N 50/60Hz 2C

19006631

30/05/2019

**ELECTRIC FRYER, FE7-10 - 2C**  
 Made of stainless steel  
 Capacity: two 15 litre oil/well.  
 Tank equipment: 1 basket 250x280 mm by tank.  
 Shielded heating elements in stainless steel.  
 Pilot light for heating.  
 Control by thermostats (60 °C to 195 °C).  
 Safety thermostats.  
 Drainage taps.

**DIMENSIONS**



X Width	700 mm	X Gross width	740 mm
Y Depth	775 mm	Y Gross depth	835 mm
Z Height	850 mm	Z Gross height	1045 mm
Net Weight	79,0 kg	Gross Weight	92,0 kg
Net volume	0,461 m3	Gross volume	0,646 m3

**ELECTRICITY TECHNICAL SPECIFICATIONS**

Electric power	24,000 kW
Heating power	24,00 kW
Voltage	380-415V - 3N
Amperage	50A
Electric frequency	50/60Hz

**CONNECTIONS TECHNICAL SPECIFICATIONS**

230 V three-phase wiring	3X16+T - 40 A
Single-phase 230V wiring	2X16+T - 80 A
Three-phase +N 40V wiring	4X2,66+T - 25 A



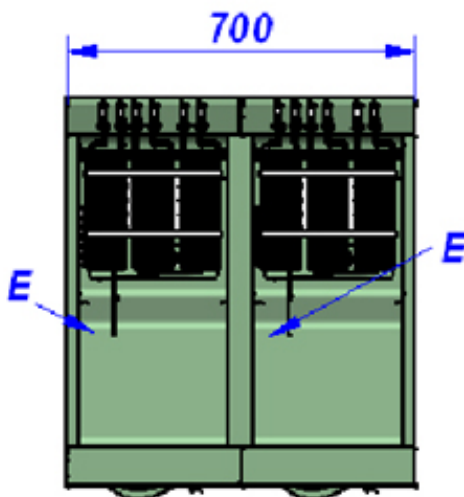
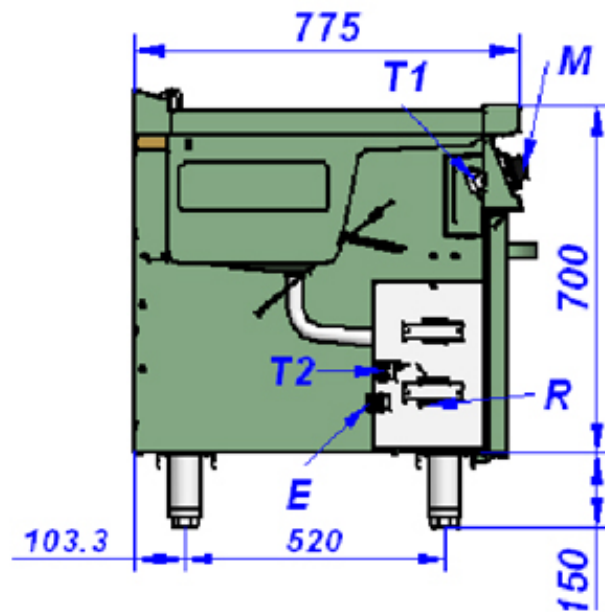
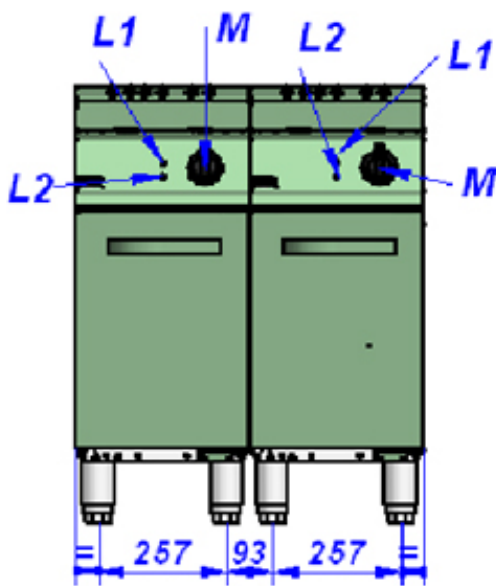
Catalogue  
**CATERING**

Chapter  
**COOKING**

Model  
**FE7-10 380-415V 3N 50/60Hz 2C**

19006631

30/05/2019



M: Mando del termostato  
L1: Lámpara verde  
L2: Lámpara amar  
E: Prensa estopas  
T1: Termostato eléctrico  
T2: Termostato limitador de seguridad  
R: Regleta de conexiones

M: Thermostat control  
L1: Green light  
L2: Amber light  
E: Gland  
T1: Electric thermostat  
T2: safety limiting  
R: Terminal block