



Catalogue
CATERING
Chapter
DISHWASHING

Model
CO-350 COLD 230V 1N 50/60Hz

19027203

03/04/2019

CO-350 COLD DISHWASHER

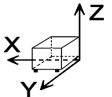
- Front-loading glass washers - EVO Generation
- Constructed in stainless steel.
- Door with double wall.
- Double rotating wash and rinse system, top and bottom, in stainless steel.
- Rounded tank to facilitate washing and drainage.
- Stainless steel armoured heating elements in the wash tank and rinse boiler.
- Thermostatic control of temperatures (wash, 60°C, and rinse, 90°C).
- Safety thermostat
- Rinse aid doser incorporated.
- Fitted with non-return valve.
- 260 W wash pump
- Water consumption per 2.2 litre cycle.
- Magnetic safety stop switch in door opening.
- Model for 350 x 350 mm baskets.
- Model with mechanical - analogue control.
- 120" fixed wash cycle and maximum production of 30 baskets/hour.
- Useful internal height of 220 mm.
- Tank with volume of 11 litres, with 2 kW heating element.
- Tank with volume of 4 litres, with 2.4 kW heating element.
- IPX4 anti-humidity protection.
- Manual push button for final cold rinse (COLD Model)

Equipment included:

"Two 350 x 350 mm base baskets, 1 supplement for plates and a small basket for cutlery."
 "

DIMENSIONS

X Width	430 mm	X Gross width	480 mm
Y Depth	475 mm	Y Gross depth	630 mm
Z Height	650 mm	Z Gross height	840 mm
Net Weight	30,0 kg	Gross Weight	37,0 kg
Net volume	0,133 m3	Gross volume	0,254 m3



ELECTRICITY TECHNICAL SPECIFICATIONS

Electric power	2,660 kW
Heating power	2,40 kW
Voltage	230V - 1N
Amperage	11,6
Electric frequency	50/60Hz

WATER TECHNICAL SPECIFICATIONS

Pressure	H2O: 200-400kPa(2-4bar)
Water max consumption	40,00 L/h

CONNECTIONS TECHNICAL SPECIFICATIONS

Hot softened water diameter	3/4"
Drain 1 diameter	2"

OTHERS

Noise level	70,00 dB
-------------	----------



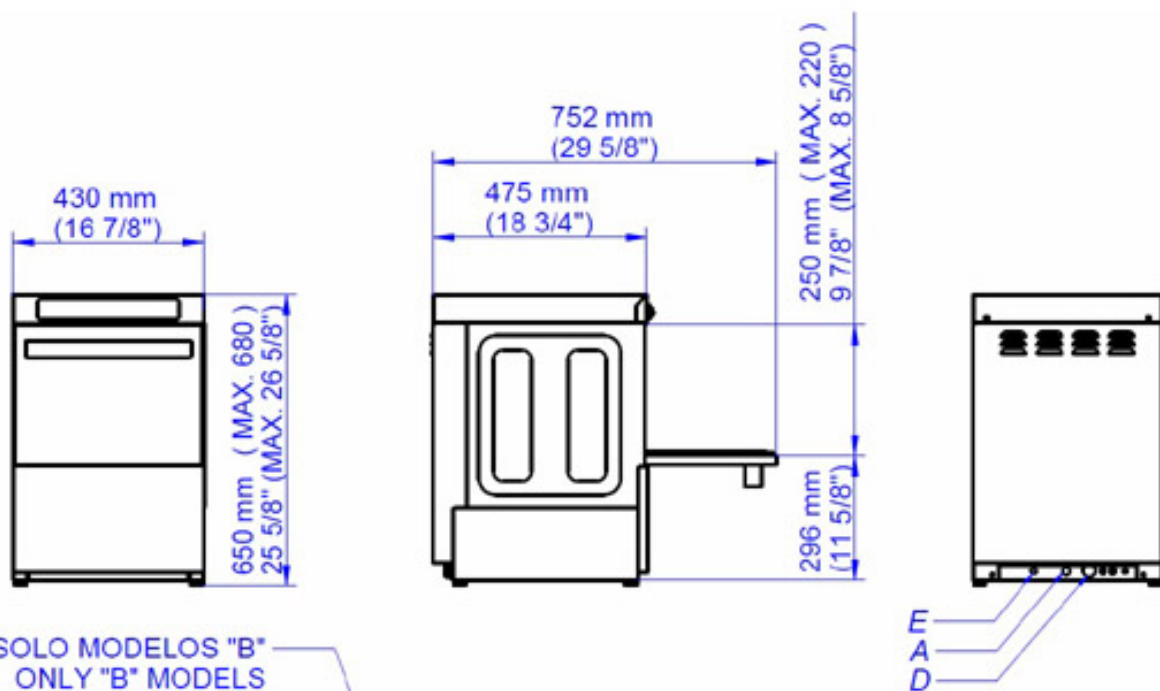
Catalogue
CATERING

Chapter
DISHWASHING

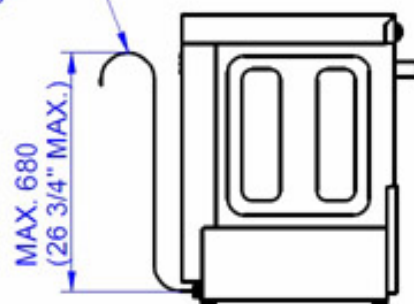
Model
CO-350 COLD 230V 1N 50/60Hz

19027203

03/04/2019



SOLO MODELOS "B"
ONLY "B" MODELS
SEULEMENT MODÈLES "B"



A: ENTRADA DE AGUA
E: ALIMENTACIÓN ELÉCTRICA
D: DESAGÜE

A: WATER INLET
E: ELECTRICAL CONNECTION
D: DRAIN

A: ARRIVÉE D'EAU
E: CONNEXION ÉLECTRIQUE
D: VIDANGE