



**Catalogue**  
**CATERING**  
**Chapter**  
**COOKING**

**Model**  
**CG-310 SP SP G LPG 230V 1N**

19018757

11/01/2019

GAS RANGE, CG-310 SP G  
 Made in stainless steel.  
 Open hobs with safety valve and thermocouples.  
 Pilots for ignition.  
 Cast iron grids.  
 Burners: 1 x 6000 + 2 x 4000 kcal/h.  
 1/1 GN oven in stainless steel. Oven burner: 5000 kcal/h.  
 Equipped with electrical grill on the oven top. Power: 2 kW.  
 Pilot and thermocouple.  
 Thermostatic control (130 °C – 350 °C).  
 Neutral cabinet.

**DIMENSIONS**



X Width	1275 mm	X Gross width	635 mm
Y Depth	580 mm	Y Gross depth	1330 mm
Z Height	860 mm	Z Gross height	1105 mm
Net Weight	136,0 kg	Gross Weight	156,0 kg
Net volume	0,636 m3	Gross volume	0,933 m3

**ELECTRICITY TECHNICAL SPECIFICATIONS**

Electric power	2,000 kW
Heating power	2,00 kW
Voltage	230V - 1N
Amperage	16A
Electric frequency	50/60Hz

**GAS TECHNICAL SPECIFICATIONS**

Gas type	LPG
Gas power	20,78 kW
Gas consumption	1,800 kg/h
Regulated	LPG G30/G31 28-30/37 mbar NG G20/G25/G25.1 20/25/25 mbar



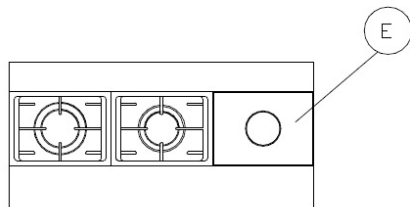
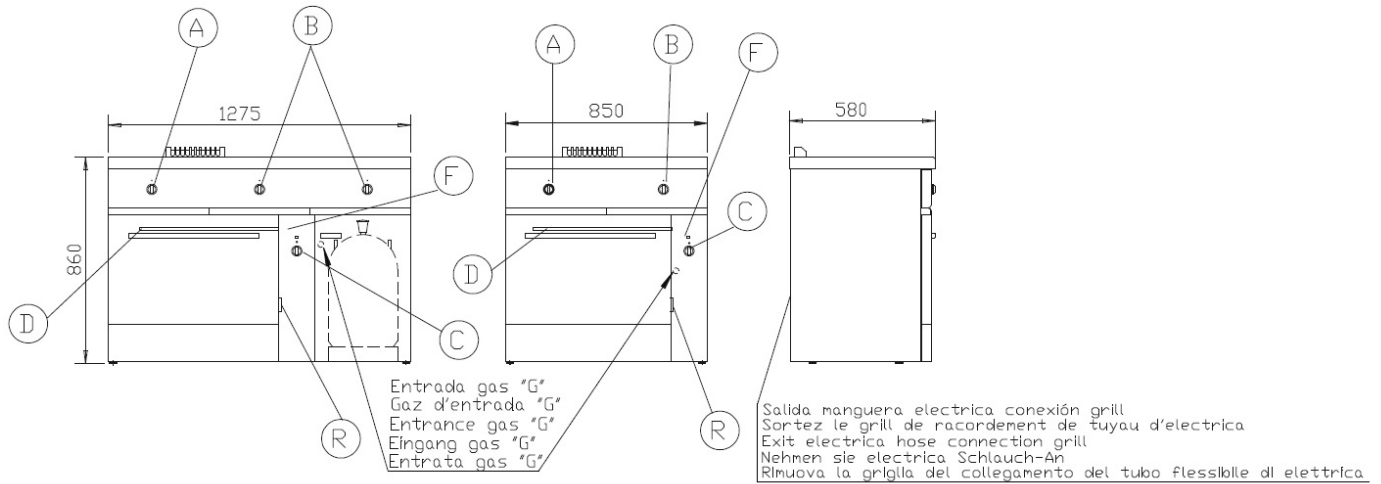
Catalogue  
**CATERING**

Chapter  
**COOKING**

Model  
**CG-310 SP SP G LPG 230V 1N**

19018757

11/01/2019



- |   |                              |
|---|------------------------------|
| A – Mando quemador 6.5kw                  | A – 6.5kw burner command     |
| B – Mando quemador 4.41kw                 | B – 4.41kw burner command    |
| C – Mando termostato horno                | C – Oven's thermostat burner |
| D – Grill                                 | D – Grill                    |
| E – Plancha                               | E – Plate                    |
| F – Interruptor grill                     | F – Grill switch             |
| R – Regleta de conexiones (modelos grill) | R – Connection strip         |