



Catalogue
CATERING
Chapter
REFRIGERATION

Model
 CSK-201D PAS S.P.CAL No 230V 1N 50/60Hz

19048092

04/03/2019

BLAST CHILLING CELL, CSK-201 -D

SPECIFICATIONS

Pass-through blast chiller cell, with separate doors for entry and exit.

Inside and outside made of high quality austenitic stainless steel.
 70 mm thick isolation.

Isolation by means of injected 40 kg/m³ polyurethane, 20 % above the market average and with a noticeable reduction in consumption.
 Forced draught cooling system with optimized air circulation.

Electronic and digital control of defrosting temperature.

Opened door delay alarm.

HACCP tracking system with alarm and temperature log. An optional printer can be installed to print data.

Bottom: 2 mm thick steel bottom.

Ready to install with tropicalized remote cooling unit.

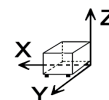
Ready to install with hermetically sealed compressor/scroll/semi hermetic with ventilated condenser.

Suitable to work at a room temperature up to 43 °C and 65% humidity.

Trolley size: 20 GN-1/1

Production Kg/cycle of refrigeration: 70 Kg

DIMENSIONS



X Width	1480 mm	X Gross width	2310 mm
Y Depth	1205 mm	Y Gross depth	1430 mm
Z Height	2120 mm	Z Gross height	1750 mm
Net Weight	390,0 kg	Gross Weight	410,0 kg
Net volume	3,542 m ³	Gross volume	5,781 m ³

ELECTRICITY TECHNICAL SPECIFICATIONS

Electric power	0,850 kW
Voltage	230V - 1N
Electric frequency	50/60Hz

GAS TECHNICAL SPECIFICATIONS

Gas type	R-404A
----------	--------

UNDERTAKEN TECHNICAL SPECIFICATIONS

Single-phase 230V wiring	2X2,5+T - 4A
Three-phase +N 40V wiring	4X1,5+T - 4A
Drain 1 diameter	40



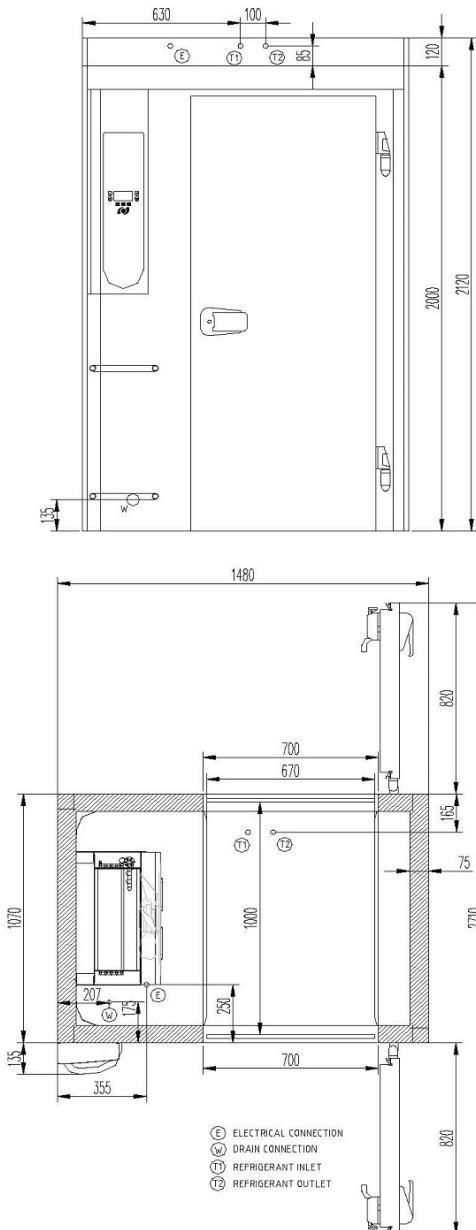
Catalogue
CATERING

Chapter
REFRIGERATION

Model
CSK-201D PAS S.P.CAL No 230V 1N 50/60Hz

19048092

04/03/2019



MODELO / MODEL		CSK-201 D	CSKP-201 D
Dimensiones Exteriores External Dimensions	mm	1480x(1070+135)x2120	1480x(1070+135)x2120
Dimensiones Interiores Internal Dimensions	mm	670x1000x1900	670x1000x1900
Tipo Abatidor Type Blast Chiller		Refrigeration	Refrigeration
Profundidad con puerta 90° Depth with 90° door	mm	2710	2710
Clase Climática Climatic class		T	T
Espesor aislamiento Thickness	mm	70	70
Medidas hueco puerta door opening measures	mm	1800x700	1800x700
Ciclo refrigeración Chilling cycle	°C	+90/+3	+90/+3
Capacidad Abatimiento Chilling capacity	90'	Kg	70
Capacidad Abatimiento Chilling capacity	60'	Kg	40
Alimentación eléctrica Electric Power supply	V/~-Hz	230/1-50/60	230/1-50/60
Intensidad Máxima Max. Absorbed current	A	3.3	3.7
Potencia eléctrica Input electric Power	W	550	550
Dimensiones embalado Packing dimensions	LxPxH mm	2310x1430x1750	2310x1430x1750
Volumen bruto exterior Total Volume external	m ³	5.44	5.44
Peso Weigh	NETO/NET BRUTO/GROSS Kg	350 380	350 380
Suelo Ground		NO	NO

GRUPPO REMOTO / REMOTE UNIT		UCS-424	UCS-528
Potencia / Rated output	HP	4	5
Refrigerante / Refrigerant		R404A	R404A
Potencia Frigorífica / Refrigeration Capacity	W	5970	6950
Alimentación eléctrica / Electric power supply	V/~-Hz	400/3/50- 460/3/60	400/3/50- 460/3/60
Potencia eléctrica / Input electric power	W	4250	4980
Intensidad Máxima / Max. Absorbed current	A	11	14.5
Peso / Weight	Kg	135	139
Dimensiones / Dimensions	mm	1100x805x650	1100x805x650

CONNECTIONS / CONEXIONES				
Conexiones eléctricas / Cables electrical	n° x mm²	3x2.5/ 5x4/ 5x1.5	3x2.5/ 5x4/ 5x1.5	
Línea de líquido / Liquid tubes	D (mm)	15.8mm- 5/8"	15.8mm- 5/8"	
Línea de gas / Gas tubes	D (mm)	28.6mm- 1-1/8"	35mm- 1-3/8"	