


 Catálogo
CATERING

 Capítulo
COCCIÓN

 Modelo
EMFP-120 BP RI SP SE 230V 1N 50Hz

19048089

DIMENSIONES

	<u>Artículo neto</u>		<u>Embalado</u>	
Largo	1200	mm	1250	mm
Fondo	900	mm	850	mm
Alto	590	mm	750	mm
Peso	102,000	kg	106,000	kg
Volumen	0,588	m3	0,797	m3

ELECTRICIDAD

Potencia eléctrica	0,25	kw
Tensión	230V -1N	
Cableado 230V Monofásico	2X1,5+T - 2 A	
Frecuencia	50	hz

REFRIGERACIÓN

Gas refrigerante	R-290	
Potencia Frigorífica	0,25	KW
Volumen interior bruto	169,00	l
Clase climática	4	

MUEBLE SOPORTE REFRIGERADO, EMFP-120 BP

Especially designed to support cooking elements of the 900 KORE range. It can support three medium modules (3x400 mm) or one of a module and another of a medium module (800 + 400 mm).

Compressor hermetic with ventilated condenser.

Evaporator of copper tube and aluminum fins.

50 mm of insulation of polyurethane injected with 40 kg/m3 of density.

Alarm to avoid a prolonged opening of the door.

2 reversible doors, automatic device of closing and fixation of the opening of 90°.

Legs of stainless steel adjustable in height.

Adjustable height between 580 and 600 mm for placing machines of overtopping.

Ecological refrigerant R-290.

Refrigeration by forced blow.

Working temperature: -2 °C, +8 °C, environment of 38 °C.

Electronic control of the temperature and of the defrosting, with digital indicator.

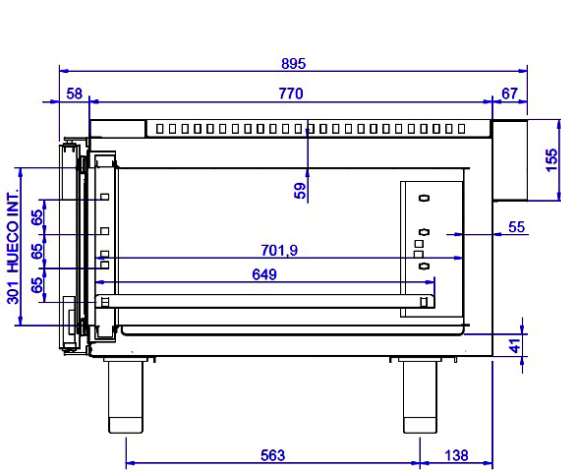


Catálogo
CATERING

Capítulo
COCCIÓN

Modelo
EMFP-120 BP RI SP SE 230V 1N 50Hz

19048089



CORTE A-A

