



Catalogue :

COUNTERS NEO

Chapter :

GLOBE CONCEPT SNACK COUNTERS

Article :

EFMP-222-R PC 230V 1N 50Hz

Code:

19037665

<u>DIMENSIONS AND WEIGHTS</u>		<u>Net dimensions</u>	<u>Packed</u>
Length	mm	2.242,00	680,00
Depth	mm	600,00	2.660,00
Height	mm	1.045,00	1.255,00
Weight	kg	94,00	99,00
Volume	m3	1,41	2,27

<u>ELECTRICITY</u>		<u>50Hz</u>	
Power	230V		0,04 kW
Connections	230 V. 1+N+T 230 V. III+T 400 V. III+N+T	2X1,5+T - 2 A	

GAS Not necessary

WATER Not necessary

STEAM Not necessary

AIR Not necessary

Internal gross capacity litres **747**
 Climat class **4**

SOUND LEVEL **< 65,00 db**

CERTIFICATES **SGS-2103-0906-1**

INSTALLATION - CONNECTIONS **Ø**
 ► ELECTRICITY **SI**

DESCRIPTION

REFRIGERATED COUNTER FRONT WITH GLASS DOORS FOR REMOTE UNITS SNACK, EFMP-222-R PC

SPECIFICATIONS

High quality austenitic stainless steel inside and outside (except for galvanized back panel).
 50 mm, 40 kg/m3 injected polyurethane isolation.
 Forced draught cooling system inside the room.
 Copper piping and aluminium flaps evaporator.
 Digital display for electronic and digital control of temperature and defrosting.
 Opened door delay alarm.
 Easier loading and unloading thanks to its door self-closing and stay open features.
 Removable and height adjustable plastic covered steel shelves for easy cleaning. Grid self-dimensions: 405 x 460 mm.
 Equipment: 1 grid per door and 1 set of tray slides.
 Built in drainage to get rid of waste liquids inside the unit.
 Embedded bottom and curved panels inside for easy cleaning and maintenance.
 Height adjustable stainless steel legs.
 10 cm high splashback.
 Units ready for the connection of a remote cooling unit when short of space inside the kitchen.
 Double pane door and anodised aluminium frame with double vacuum chamber.
 LED lighting.
 Working temperature: from -2 °C up to +8 °C.
 Climatic class 4.

Doors: 4
 Gross capacity: 747 L
 Electric power: 29 W
 Dimensions: 2242x600x1045 mm





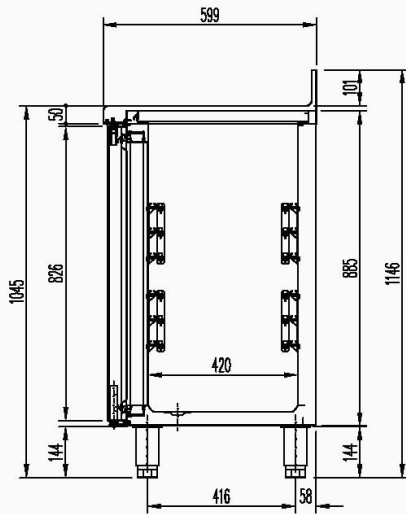
Catalogue :
COUNTERS NEO

Chapter :
GLOBE CONCEPT SNACK COUNTERS

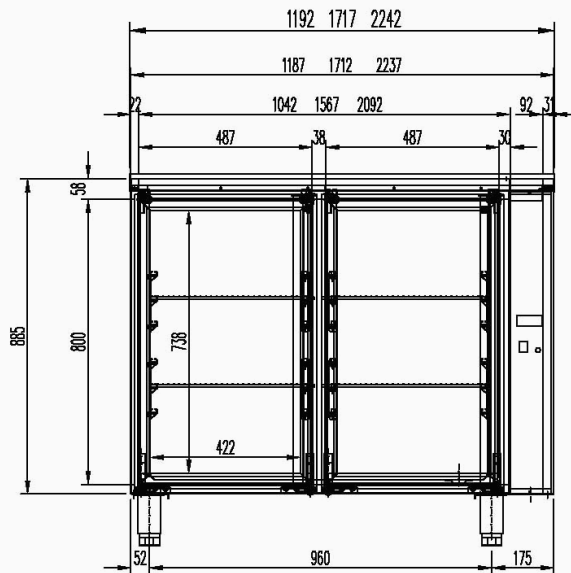
Article :
EFMP-222-R PC 230V 1N 50Hz

Code :
19037665

SCHEMA - DIMENSIONS



Mod. 117 R / Mod. 169 R / Mod. 222 R



Mod. 117 R / Mod. 169 R / Mod. 222 R

