



Catalogue
CATERING
Chapter
COOKING

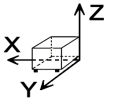
Model
SALAMANDER SEQ-60-4

19036363

22/02/2019

SUPER FAST SALAMANDER, SEQ-60-4
Built from stainless steel satin finish.
Ultra fast heating. Ready to cook in 20 seconds.
Upper moving head with conduit and holes for extracting heat and fumes.
Plastic heatproof grip on moving head.
Professional tungsten filament resistors.
Transparent vitroceramic plate protects the resistors.
Vitroceramic plate increases, diffuses and conducts heat downwards.
Digital control panel. Timer with memory (5 seconds to 99 minutes).
Supplied with grill and grease collector tray.
Cooking zone: 600 x 350 mm.
Equipped with rubber legs.
By means of an accessory-support (optional) can be fixed to wall.

DIMENSIONS



X Width	600 mm	X Gross width	570 mm
Y Depth	480 mm	Y Gross depth	680 mm
Z Height	525 mm	Z Gross height	720 mm
Net Weight	42,0 kg	Gross Weight	50,0 kg
Net volume	0,144 m3	Gross volume	0,279 m3

ELECTRICITY TECHNICAL SPECIFICATIONS

Electric power	4,000 kW
Voltage	400V - 3N
Amperage	10 A
Electric frequency	50/60Hz

UNDARTAKEN TECHNICAL SPECIFICATIONS

Single-phase 230V wiring	2X2,5 + T
Three-phase +N 40V wiring	4X1,5 + T

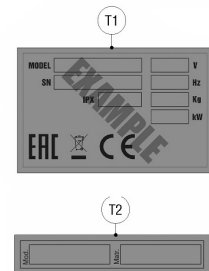
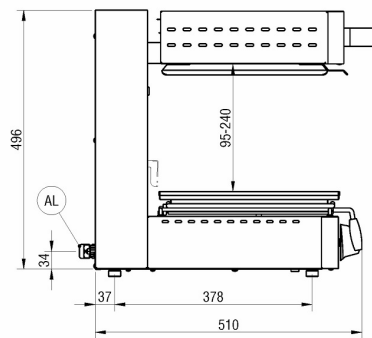
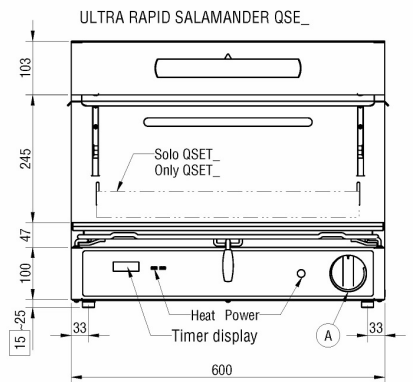
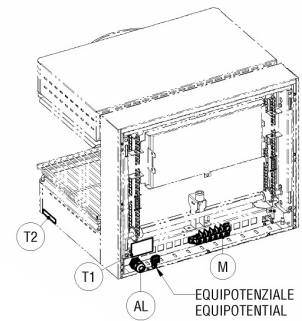
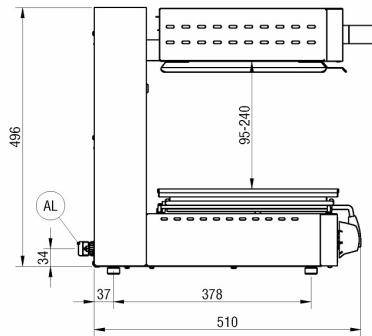
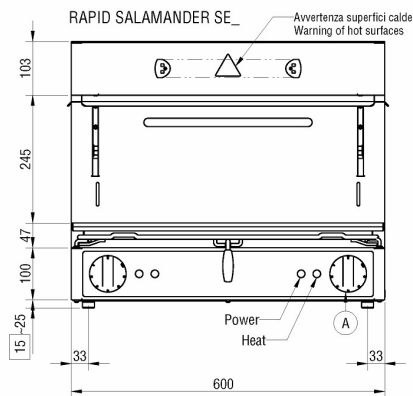
Catalogue
CATERING

Chapter
COOKING

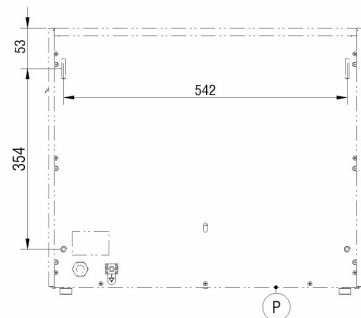
Model
SALAMANDER SEQ-60-4

19036363

22/02/2019



AL | Entrata cavo elettrico | Power supply cable inlet | Netzkabeingang | Entree cable électrique | Entrada cable electrico.



Schema di foratura parete in calcestruzzo per fissaggio staffe
Diagram for drilling cement walls for the fastening of brackets
Schema für Betonwandbohrungen zur Befestigung der Wandhalterungen
Schéma de perçage de la paroi en béton pour fixer les étriers
Esquema de perforación de la pared de hormigón para fijación soportes