



Catalogue
CATERING
Chapter
COOKING

Model
HE9-10 380...415V 3N

19006423

11/01/2019

ELECTRIC STATIC OVEN, HE9-10

Made of stainless steel.

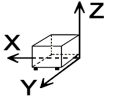
2/1 GN oven with 3 levels.

Independent upper and lower heating elements.

Selector switch for de elements.

Thermostatic control (130 °C – 350 °C).

DIMENSIONS



X Width	850 mm	X Gross width	900 mm
Y Depth	900 mm	Y Gross depth	1040 mm
Z Height	680 mm	Z Gross height	960 mm
Net Weight	86,0 kg	Gross Weight	115,0 kg
Net volume	0,520 m3	Gross volume	0,899 m3

ELECTRICITY TECHNICAL SPECIFICATIONS

Electric power	6,000 kW
Heating power	6,00 kW
Voltage	380-415V - 3N
Amperage	16A
Electric frequency	50/60Hz



Catalogue
CATERING

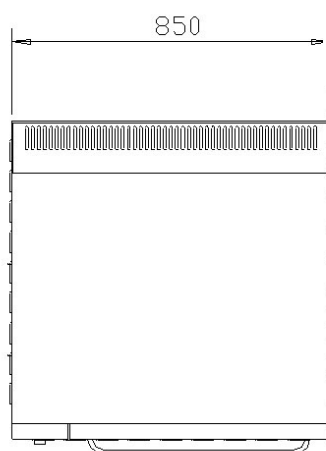
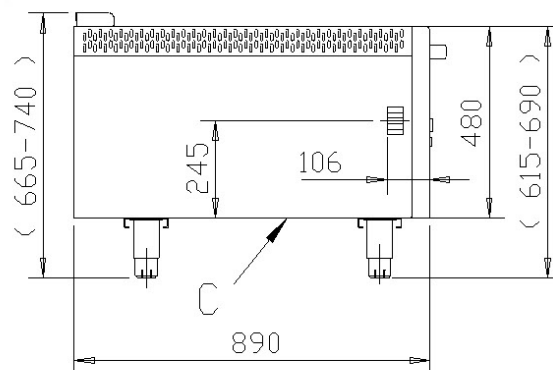
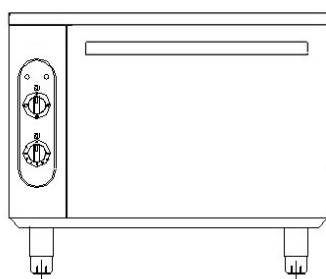
Chapter
COOKING

Model
HE9-10 380...415V 3N

19006423

11/01/2019

HE9-10



C: Orificios de paso para cable eléctrico
R: Regleta de conexión

C: Electrical inlet hole
R: Connection switch