



Catalogue
CATERING
Chapter
COOKING

Model
FTG7-10 C L LPG

19006184

17/12/2018

GAS FRY-TOP, FTG/C7-10 L

Made of stainless steel.

Smooth hot-plate.

50 microns thickness chromium coated steel sheeting hot-plate.

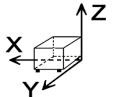
Surface area: 40 dm². 69 x 55 cm.

2 tubular burners in stainless steel with pilot.

Thermostat control of the hot-plate temperature 120 C° -310 C°.

Fat collector under the grill.

DIMENSIONS



X Width	700 mm	X Gross width	740 mm
Y Depth	775 mm	Y Gross depth	885 mm
Z Height	370 mm	Z Gross height	550 mm
Net Weight	68,0 kg	Gross Weight	85,0 kg
Net volume	0,201 m ³	Gross volume	0,360 m ³

ELECTRICITY TECHNICAL SPECIFICATIONS

Voltage N/A

Electric frequency N/A

GAS TECHNICAL SPECIFICATIONS

Gas type LPG

Gas power 12,60 kW

Gas consumption 1,050 kg/h

Regulated LPG G30/G31 28-30/37 mbar

NG G20/G25/G25.1 20/25/25 mbar

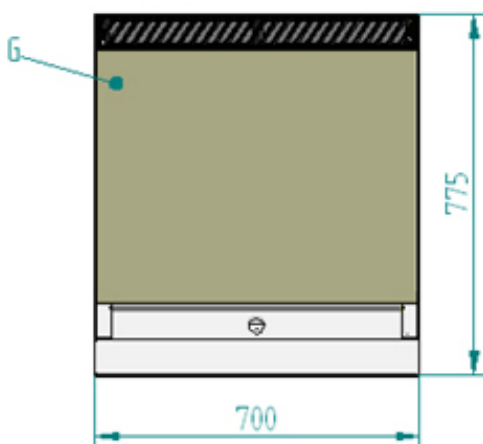
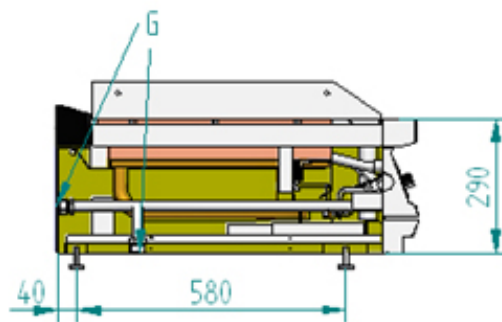
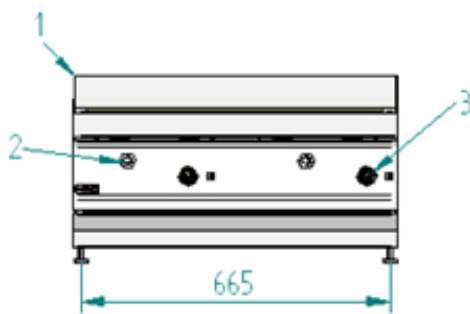


Catalogue
CATERING
Chapter
COOKING

Model
FTG7-10 C L LPG

19006184

17/12/2018



G: Entrada de gas
1: Plancha de asado
2: Orificio de encendido manual
3: Válvula de gas

G: Gas inlet
1: Grill plate
2: Manual ignition hole
3: Gas valve