



Catalogue
CATERING
Chapter
COOKING

Model
FTE7-10 C L 380-415V 3N

19006079

17/12/2018

ELECTRIC FRY-TOP, FTE/C7-10 L

Made of stainless steel.

Smooth hot-plate.

Surface area: 40 dm². 69 x 55 cm.

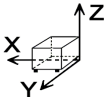
50 microns thickness chromium coated steel sheeting hot-plate.

Shielded elements in stainless steel for heating.

Thermostat control of the hot-plate temperature 120 C° -310 C°.

Fat collector under the grill.

DIMENSIONS



X Width	700 mm	X Gross width	740 mm
Y Depth	775 mm	Y Gross depth	885 mm
Z Height	370 mm	Z Gross height	590 mm
Net Weight	78,0 kg	Gross Weight	90,0 kg
Net volume	0,201 m3	Gross volume	0,386 m3

ELECTRICITY TECHNICAL SPECIFICATIONS

Electric power	9,000 kW
Heating power	9,00 kW
Voltage	380-415V - 3N
Amperage	16A
Electric frequency	50/60Hz



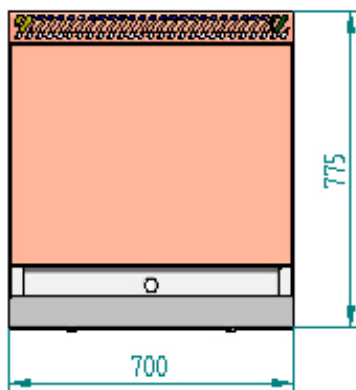
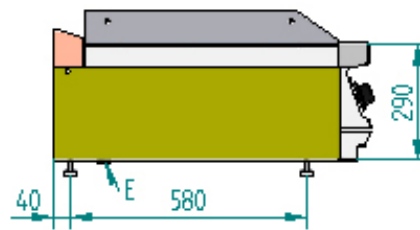
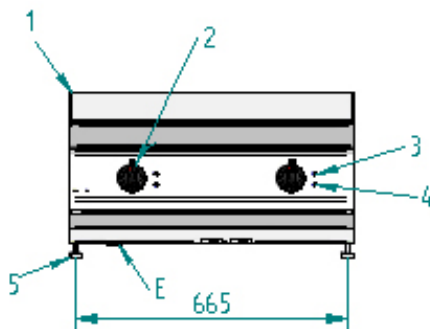
Catalogue
CATERING

Chapter
COOKING

Model
FTE7-10 C L 380-415V 3N

19006079

17/12/2018



- E: Conexión Eléctrica
- 1: Plancha de asado
- 2: Mando de termostato
- 3: Piloto conexión
- 4: Piloto calentamiento
- 5: Pata

- E: Electrical connection
- 1: Grill plate
- 2: Thermostat control
- 3: Pilot connection
- 4: Pilot heating
- 5: Leg