



Catalogue
CATERING
Chapter
COOKING

Model
 FE7-05 380-415V 3N 50/60Hz 1C

19005739

17/12/2018

ELECTRIC FRYER, FE7-05 - 1C
 Made of stainless steel
 Capacity: one 15 litre oil/well.
 Tank equipment: 1 basket 250x280 mm .
 Shielded heating elements in stainless steel.
 Pilot light for heating.
 Control by thermostat (85 °C to 200 °C).
 Safety thermostat.
 Drainage tap.

DIMENSIONS



X Width	350 mm	X Gross width	390 mm
Y Depth	775 mm	Y Gross depth	835 mm
Z Height	850 mm	Z Gross height	1060 mm
Net Weight	40,0 kg	Gross Weight	52,0 kg
Net volume	0,231 m3	Gross volume	0,345 m3

ELECTRICITY TECHNICAL SPECIFICATIONS

Electric power	12,000 kW
Heating power	12,00 kW
Voltage	380-415V - 3N
Amperage	25A
Electric frequency	50/60Hz



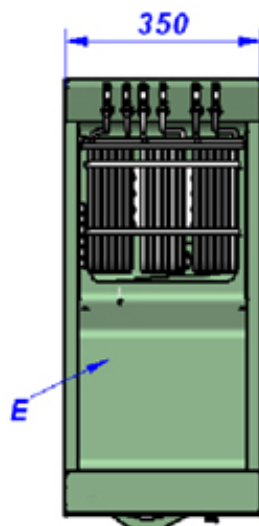
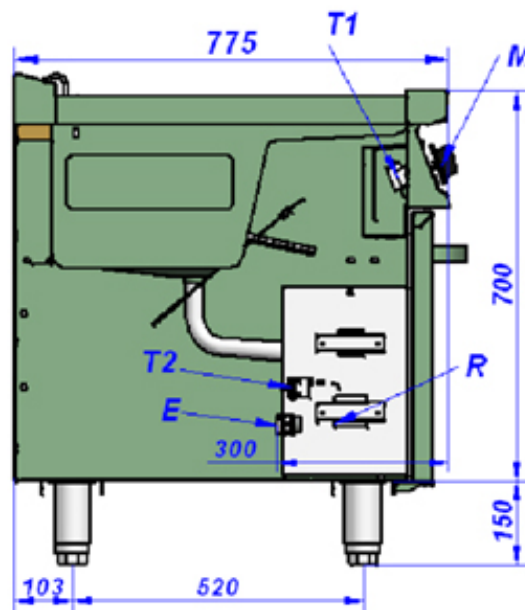
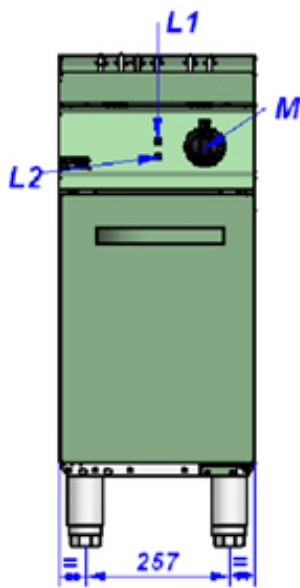
Catalogue
CATERING

Chapter
COOKING

Model
FE7-05 380-415V 3N 50/60Hz 1C

19005739

17/12/2018



M: Mando del termostato
L1: Lámpara verde
L2: Lámpara amber
E: Prensa estopas
T1: Termostato eléctrico
T2: Termostato limitador de seguridad
R: Regleta de conexiones

M: Thermostat control
L1: Green light
L2: Amber light
E: Gland
T1: Electric thermostat
T2: safety limiting
R: Terminal block