



Catalogue
CATERING
Chapter
COOKING

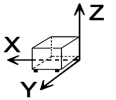
Model
FE6-10 380-415V 3N 2C

19005569

21/12/2018

ELECTRIC FRYER, FE6-10 TE
Made of stainless steel
Capacity: two wells, 8 litres oil / well.
Tank equipment: 1 basket 220x240x100 mm .
Shielded heating elements in stainless steel.
Pilot light for heating.
Control by thermostat (60 °C to 195 °C).
Safety thermostat.
Drainage tap.
Tilting system for heater elements.

DIMENSIONS



X Width	600 mm	X Gross width	655 mm
Y Depth	650 mm	Y Gross depth	720 mm
Z Height	445 mm	Z Gross height	580 mm
Net Weight	41,0 kg	Gross Weight	42,0 kg
Net volume	0,174 m3	Gross volume	0,274 m3

ELECTRICITY TECHNICAL SPECIFICATIONS

Electric power	12,000 kW
Heating power	12,00 kW
Voltage	380-415V - 3N
Amperage	52,2 A
Electric frequency	50/60Hz



Catalogue
CATERING

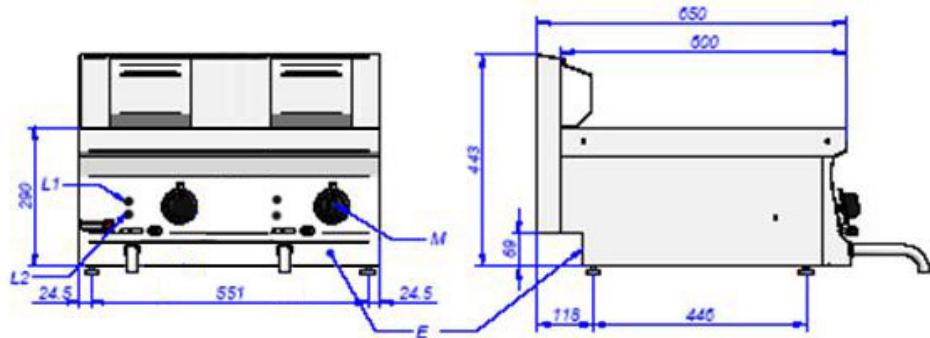
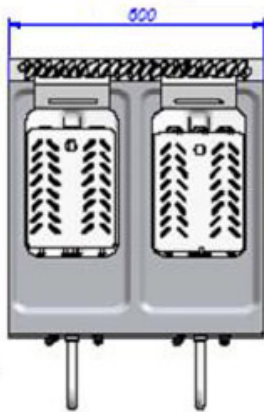
Chapter
COOKING

Model
FE6-10 380-415V 3N 2C

19005569

21/12/2018

FE6-10



M: Mando del termostato
L1: Lámpara verde
L2: Lámpara ambar
E: Conexión eléctrica

M: Thermostat control
L1: Green light
L2: Amber light
E: Electrical connection