



Catalogue
CATERING
Chapter
COOKING

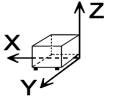
Model
FE6-05 380-415V 3N 1C

19004437

21/12/2018

ELECTRIC FRYER, FE6-05 TE
Made of stainless steel
Capacity: one well, 8 litres.
Tank equipment: 1 basket 220x240x100 mm .
Shielded heating elements in stainless steel.
Pilot light for heating.
Control by thermostat (60 °C to 195 °C).
Safety thermostat.
Drainage tap.
Tilting system for heater elements.

DIMENSIONS



X Width	400 mm	X Gross width	455 mm
Y Depth	432 mm	Y Gross depth	720 mm
Z Height	445 mm	Z Gross height	580 mm
Net Weight	30,0 kg	Gross Weight	31,0 kg
Net volume	0,077 m3	Gross volume	0,190 m3

ELECTRICITY TECHNICAL SPECIFICATIONS

Electric power	6,000 kW
Heating power	6,00 kW
Voltage	380-415V - 3N
Amperage	26,1 A
Electric frequency	50/60Hz



Catalogue
CATERING

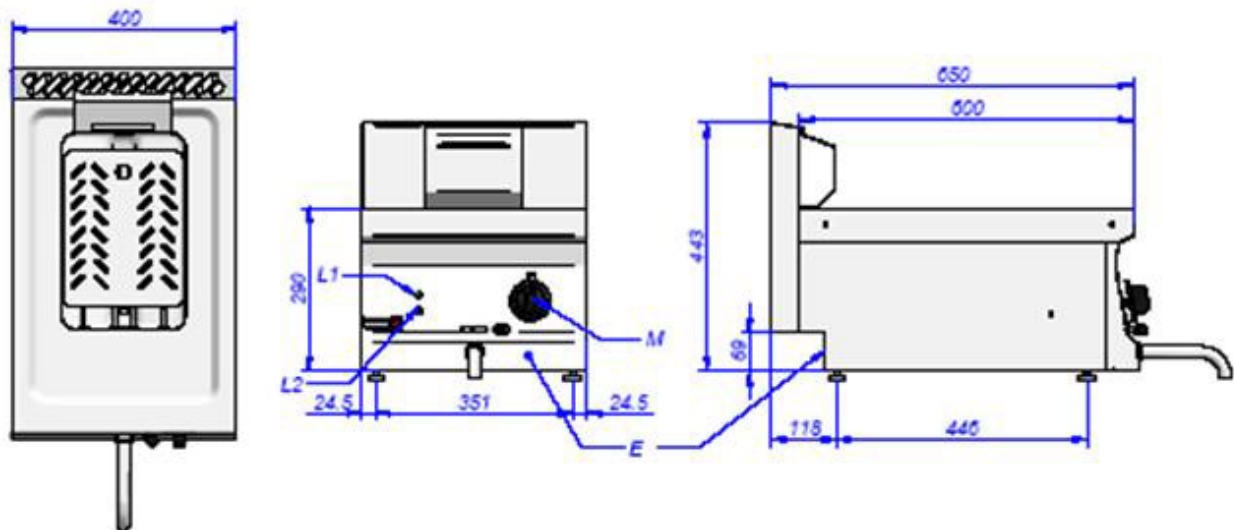
Chapter
COOKING

Model
FE6-05 380-415V 3N 1C

19004437

21/12/2018

FE6-05



M: Mando del termostato
L1: Lámpara verde
L2: Lámpara ambar
E: Conexión eléctrica

M: Thermostat control
L1: Green light
L2: Amber light
E: Electrical connection