



Catalogue
CATERING
Chapter
COOKING

Model
FE-4 230V 1N 1C

19004652

11/01/2019

ELECTRIC DEEP FAT FRYER, FE-4

Made in stainless steel

Capacity: one 4 litre oil/well. Equipped with 1 basket.

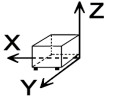
Removable shielded heating elements in stainless steel.

Pilot light for heating.

Control by thermostat (60 °C to 195 °C).

Safety thermostat. Safety switch for assembly.

DIMENSIONS



| | | | |
|------------|----------|----------------|----------|
| X Width | 175 mm | X Gross width | 250 mm |
| Y Depth | 485 mm | Y Gross depth | 550 mm |
| Z Height | 270 mm | Z Gross height | 360 mm |
| Net Weight | 8,0 kg | Gross Weight | 9,0 kg |
| Net volume | 0,023 m3 | Gross volume | 0,050 m3 |

ELECTRICITY TECHNICAL SPECIFICATIONS

| | |
|--------------------|-----------|
| Electric power | 3,000 kW |
| Voltage | 230V - 1N |
| Amperage | 25A |
| Electric frequency | 50/60Hz |



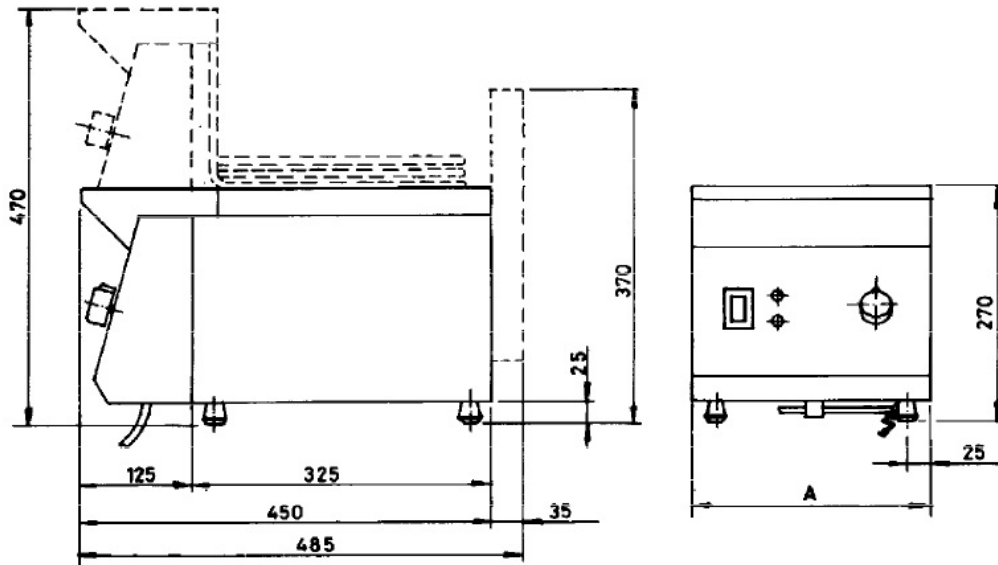
Catalogue
CATERING

Chapter
COOKING

Model
FE-4 230V 1N 1C

19004652

11/01/2019



| | A |
|------|-----|
| FE-4 | 175 |
| FE-6 | 265 |
| FE-8 | 335 |