



**Catalogue**  
**CATERING**  
**Chapter**  
**COOKING**

**Model**  
**F-G9215 LPG 230V 1N 50Hz 2C**

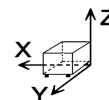
19037062

14/12/2018

**GAS DEEP FAT FRYER, F-G9215**

Fryers are designed to deep fry large amounts of product (chips, croquettes, different types of dredgings, etc.).  
 2 mm stainless AISI-304 steel top with rounded edges for easy cleaning.  
 Laser cut and automatic welding for a perfect adjustment of sides between modules with square angle finish.  
 Number of wells: 2.  
 Well capacity: 15 litres.  
 Standard equipment: Two 250x287x108 mm baskets.  
 Well integrated in the top, with cool area at the bottom. This helps to maintain oil properties and quality for a longer time.  
 Highly efficient heat exchanger gas tubes integrated alongside the well. Electronic ignition.  
 Superior power/litre rate: 1 kW per litre.  
 Thermostat for temperature control (between 60 and 200°C).  
 Safety thermostat.  
 Oil discharge through robust and reliable high temperature resistant ball tap.  
 Fitted with independent lids for each well.  
 Basket drainage support at the back of the well.  
 Water-tight and protecting-support controls.  
 High temperature protector for the chimney made of enamelled cast iron.  
 Front access to components.  
 According to European standards for components and panels temperature, efficiencies and combustion, and sanitary regulations (EN-60335 and EN-203)  
 IPX5 grade water protection equipment.

**DIMENSIONS**



|            |          |                |          |
|------------|----------|----------------|----------|
| X Width    | 800 mm   | X Gross width  | 840 mm   |
| Y Depth    | 930 mm   | Y Gross depth  | 1022 mm  |
| Z Height   | 850 mm   | Z Gross height | 1125 mm  |
| Net Weight | 140,0 kg | Gross Weight   | 160,0 kg |
| Net volume | 0,722 m3 | Gross volume   | 0,966 m3 |

**ELECTRICITY TECHNICAL SPECIFICATIONS**

|                    |           |
|--------------------|-----------|
| Electric power     | 0,100 kW  |
| Voltage            | 230V - 1N |
| Amperage           | 2A        |
| Electric frequency | 50Hz      |

**GAS TECHNICAL SPECIFICATIONS**

|                 |   |
|-----------------|---|
| Gas type        | LPG   |
| Gas power       | 30,00 kW  |
| Gas consumption | 2,300 kg/h  |
| Regulated       | LPG G30/G31 28-30/37 mbar<br>NG G20/G25/G25.1 20/25/25 mbar |



Catalogue  
**CATERING**

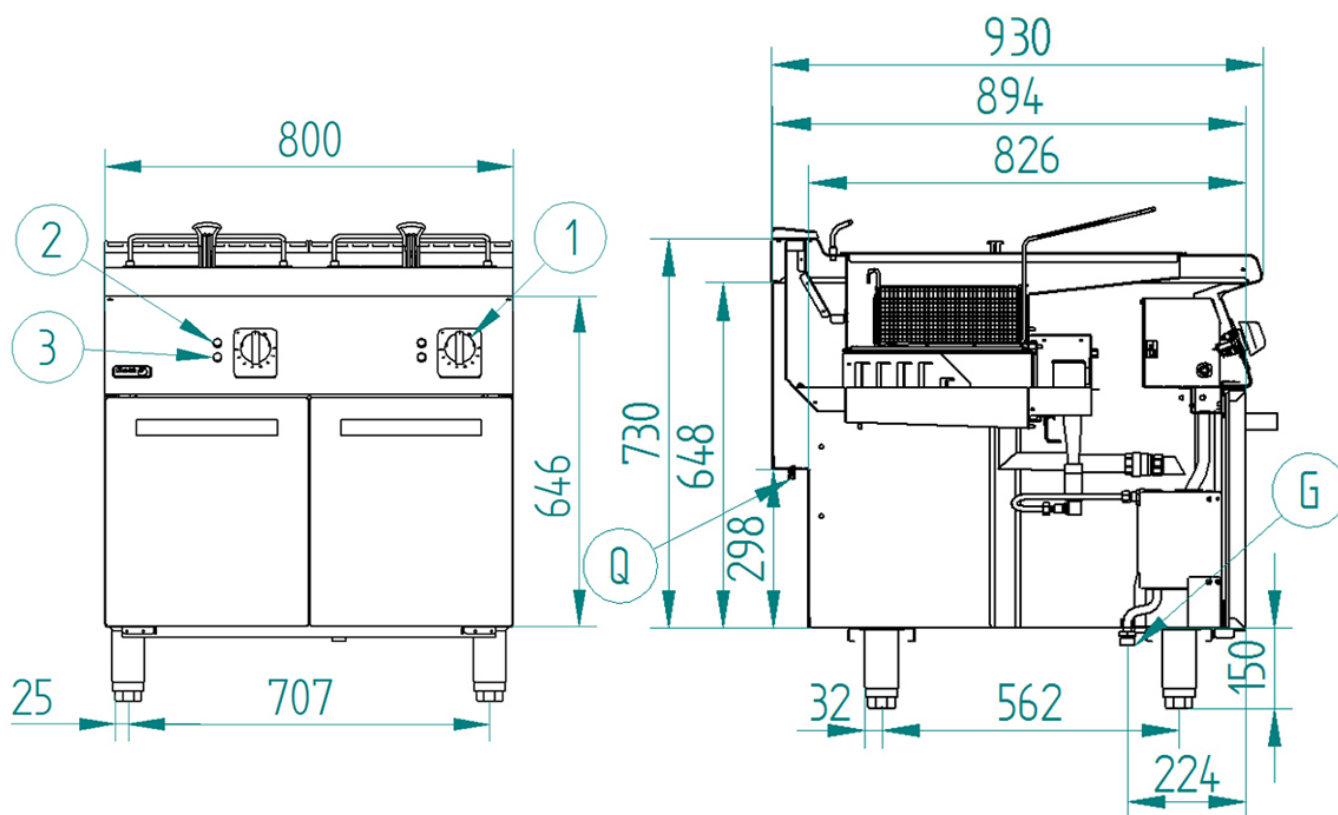
Chapter  
**COOKING**

Model  
**F-G9215 LPG 230V 1N 50Hz 2C**

19037062

14/12/2018

## F-G9215 & F-G9221



Q – Conexión equipotencial  
G – Entrada de Gas  
1 – Grifo válvula de gas  
2 – Piloto verde  
3 – Piloto ambar

Equipotential connection  
Gas Inlet  
Gas valve tap  
Green pilot  
Ambar pilot