



**Catalogue**  
CATERING  
**Chapter**  
COOKING

**Model**  
CPG7-05 LPG

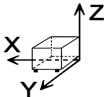
19006060

17/12/2018

GAS PASTA COOKER, CPG7-05  
Made of stainless steel.  
Cast iron burners.  
Thermostat temperature control.  
Water filling tap. Drainage tap.  
Capacity: 20 liters.

Equipment: 2 baskets size 1/2.

**DIMENSIONS**



X Width	350 mm	X Gross width	390 mm
Y Depth	775 mm	Y Gross depth	835 mm
Z Height	850 mm	Z Gross height	1200 mm
Net Weight	60,0 kg	Gross Weight	72,0 kg
Net volume	0,231 m3	Gross volume	0,391 m3

**ELECTRICITY TECHNICAL SPECIFICATIONS**

Voltage	N/A
Electric frequency	N/A

**GAS TECHNICAL SPECIFICATIONS**

Gas type	LPG
Gas power	10,00 kW
Gas consumption	0,832 kg/h
Regulated	LPG G30/G31 28-30/37 mbar NG G20/G25/G25.1 20/25/25 mbar

**WATER TECHNICAL SPECIFICATIONS**

Pressure	H2O: 200-400kPa(2-4bar)
----------	-------------------------



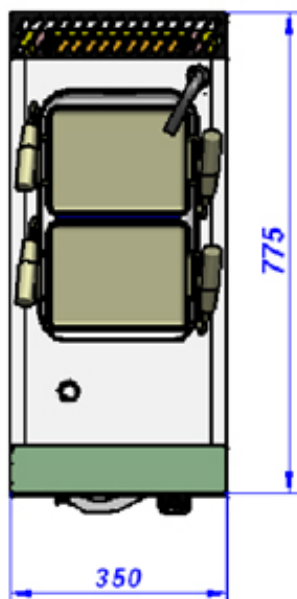
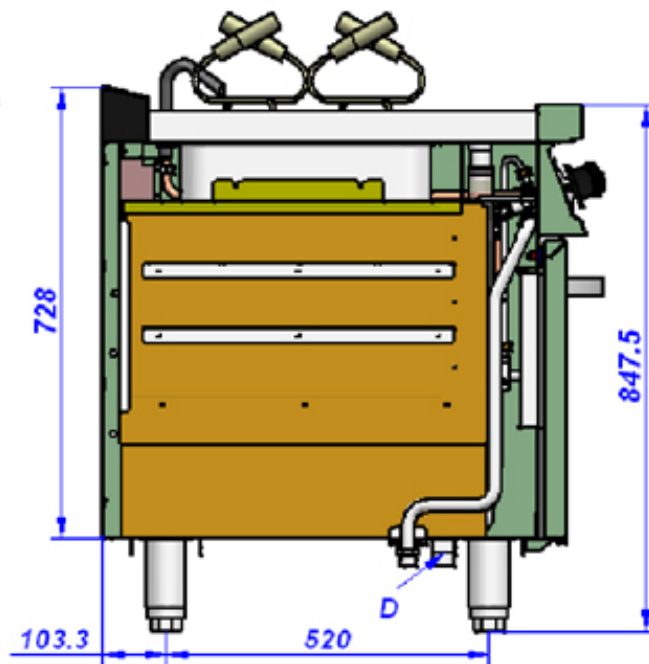
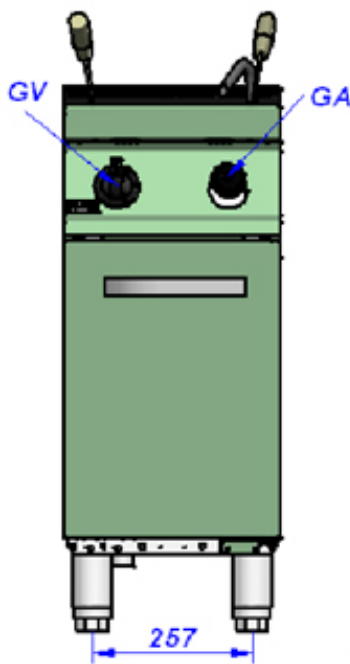
Catalogue  
**CATERING**

Chapter  
**COOKING**

Model  
**CPG7-05 LPG**

19006060

17/12/2018



GV: Grifo válvula  
IN: Grifo agua  
PZ: Piezoeléctrico  
D: Desagüe  
EV: Electroválvula  
R: Regleta

GV: Tap valve  
IN: Filling switch  
PZ: Piezoelectric  
D: Drainage  
EV: Electric valve  
R: Electric connection