



Catalogue
CATERING
Chapter
COOKING

Model
CPE7-05 400V 3N

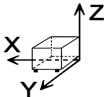
19006231

17/12/2018

ELECTRIC PASTA COOKER, CPE7-05
 Made of stainless steel.
 Heater elements in stainless steel.
 Thermostat temperature control.
 Water filling tap. Drainage tap.
 Capacity: 20 liters.

Equipment: 2 baskets size 1/2.

DIMENSIONS



X Width	350 mm	X Gross width	390 mm
Y Depth	775 mm	Y Gross depth	835 mm
Z Height	850 mm	Z Gross height	1200 mm
Net Weight	38,0 kg	Gross Weight	50,0 kg
Net volume	0,231 m3	Gross volume	0,391 m3

ELECTRICITY TECHNICAL SPECIFICATIONS

Electric power	8,000 kW
Heating power	8,00 kW
Voltage	400V - 3N
Amperage	16A
Electric frequency	50/60Hz

WATER TECHNICAL SPECIFICATIONS

Pressure	H2O: 200-400kPa(2-4bar)
----------	-------------------------



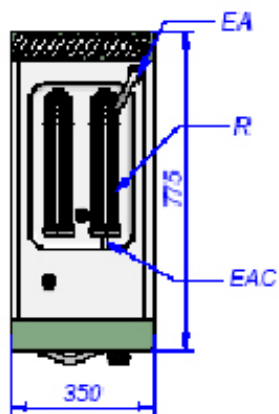
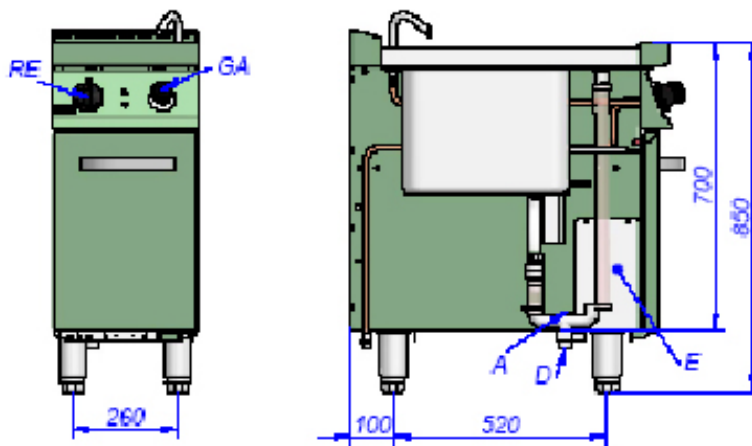
Catalogue
CATERING

Chapter
COOKING

Model
CPE7-05 400V 3N

19006231

17/12/2018



- D: Desagüe
- EV: Electroválvula
- R: Resistencias
- EAC: Entrada agua cuba
- E: Cuadro eléctrico
- RE: Regulador de energía
- GA: Grifo agua
- A: Acometida

- D: Drainage
- EV: Electric valve
- R: Resistors
- EAC: Tub water inlet
- E: Switchboard
- RE: Energy regulator
- GA: Water tap
- A: Electrical connection