



Catalogue
CATERING
Chapter
COOKING

Model
 CP-E905 380-415V 3N

19023162

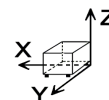
14/12/2018

ELECTRIC PASTA COOKERS, CP-E905

Pasta cookers are devices specially designed to boil pasta, and they can also be used to boil vegetables, rice or eggs.
 They are used with specific baskets in different sizes and volumes (1/1 or fractions 1/2 - 1/3 - 1/4 - 1/6).
 2 mm stainless AISI-304 steel top with rounded edges for easy cleaning.
 Laser cut and automatic welding for a perfect adjustment of sides between modules with square angle finish.
 Number of wells: 1.
 Standard equipment: Three 1/3 baskets.
 40 liters water basin. It can be used with different combinations of basket sizes.
 Integrated 1.5 mm AISI-316-L stainless steel basin with rounded edges for easy cleaning.
 Electrical filling valve with two position switch: fast and medium filling speed. Basin discharge manual tap highly resistant to high temperature and safety overflow.
 AISI 304 stainless steel electrical resistances at the pan bottom to heat the water directly.
 Power regulator to control heating.
 Low water level automatic safety shut off.
 Provided with integrated drip zone on which baskets can be placed for draining purposes.
 Water-tight and protecting-support controls.
 High temperature protector for the chimney made of enamelled cast iron.
 Front access to components.
 According to European standards for components and panels temperature, efficiencies and combustion, and sanitary regulations (EN-60335 and EN-203)
 IPX5 grade water protection equipment.

DIMENSIONS

X Width	400 mm	X Gross width	440 mm
Y Depth	930 mm	Y Gross depth	1022 mm
Z Height	850 mm	Z Gross height	1255 mm
Net Weight	65,0 kg	Gross Weight	70,0 kg
Net volume	0,390 m3	Gross volume	0,564 m3



ELECTRICITY TECHNICAL SPECIFICATIONS

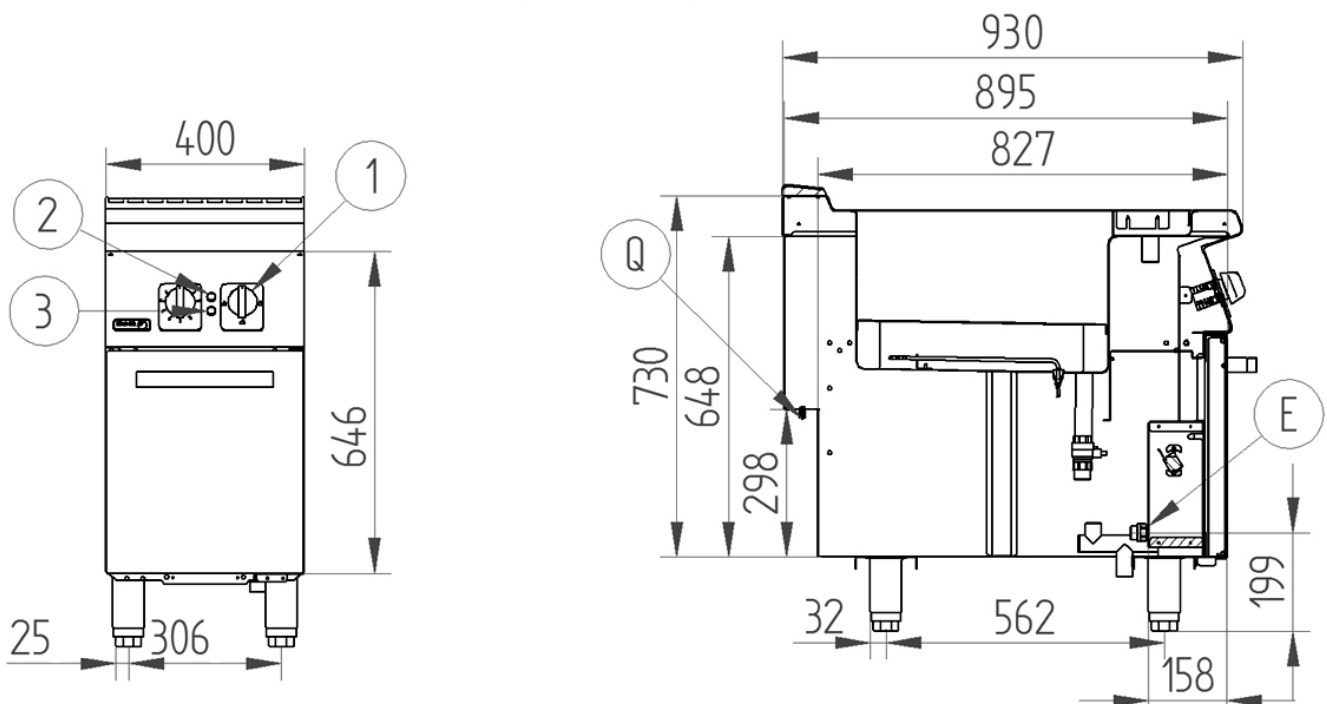
Electric power	12,000 kW
Heating power	12,00 kW
Voltage	380-415V - 3N
Amperage	20A
Electric frequency	50/60Hz

WATER TECHNICAL SPECIFICATIONS

Pressure	H2O: 200-400kPa(2-4bar)
----------	-------------------------



CP-E905



E – Conexión eléctrica
Q – Conexión equipotencial
1 – Mando termostato
2 – Piloto verde
3 – Piloto ambar

Electrical connection
Equipotential connection
Thermostat control
Green pilot
Ambar pilot