



Catalogue
CATERING
Chapter
COOKING

Model
CGE7-41 LPG 380-415V 3N

19007561

17/12/2018

GAS AND ELECTRIC RANGE, CGE7-41

Made of stainless steel.

Open hobs with safety valve and thermocouples.

Pilots for ignition. Cast iron gratings and burners.

Burners: 1x6.9 + 3x5.25 kW.

Dimensions of the grid: 347x310 mm.

2/1 GN oven made of stainless steel, with upper and lower heating elements.

Selector switch for the elements.

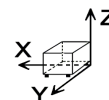
Thermostatic control (130 °C – 350 °C).

Oven power: 6 kW - electric heating.

Total gas power: 22.65 kW.

Total electrical power: 6 kW.

DIMENSIONS



X Width	700 mm	X Gross width	740 mm
Y Depth	775 mm	Y Gross depth	835 mm
Z Height	850 mm	Z Gross height	1045 mm
Net Weight	105,0 kg	Gross Weight	120,0 kg
Net volume	0,461 m3	Gross volume	0,646 m3

ELECTRICITY TECHNICAL SPECIFICATIONS

Electric power	6,000 kW
Heating power	6,00 kW
Voltage	380-415V - 3N
Amperage	16A
Electric frequency	50/60Hz

GAS TECHNICAL SPECIFICATIONS

Gas type	LPG
Gas power	22,65 kW
Gas consumption	1,885 kg/h
Regulated	LPG G30/G31 28-30/37 mbar NG G20/G25/G25.1 20/25/25 mbar



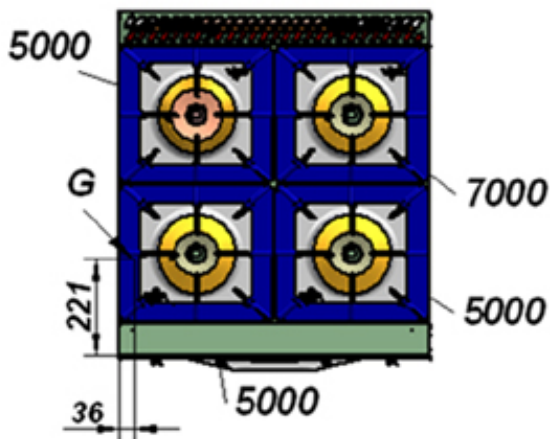
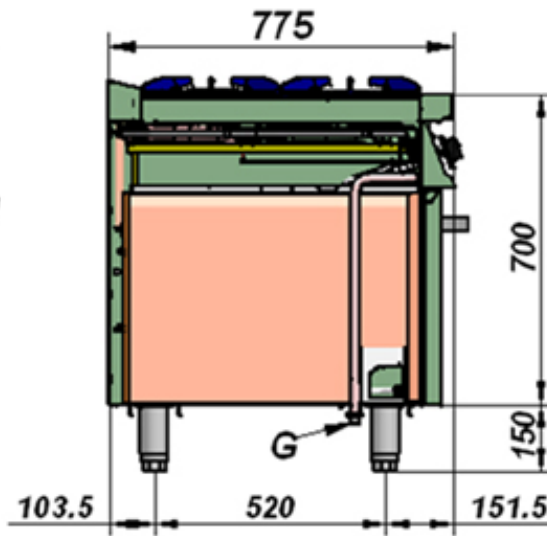
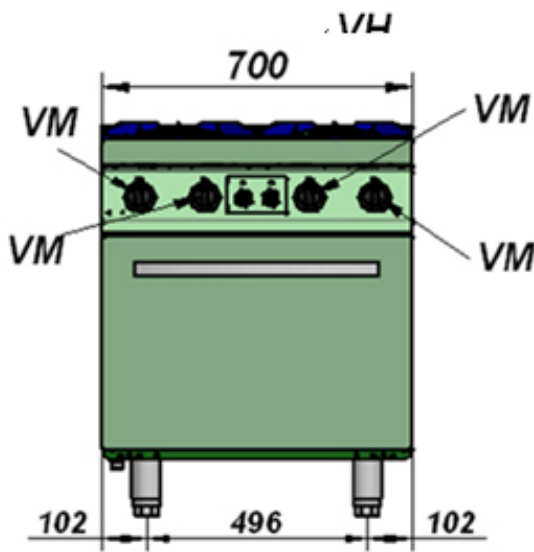
Catalogue
CATERING

Chapter
COOKING

Model
CGE7-41 LPG 380-415V 3N

19007561

17/12/2018



G: Entrada de gas
VM: Grifo válvula de mesa
VH: Válvula termostática de horno

G: Gas inlet
VM: Table tap-valve
VH: Oven thermostatic valve