



**Catalogue**  
**CATERING**  
**Chapter**  
**COOKING**

**Model**  
**CGE6-41 LPG 380-415V 3N**

19006029

21/12/2018

**GAS RANGE WITH ELECTRIC OVEN, CGE6-41**

Made of stainless steel.

Open hobs with safety valve and thermocouples.

Pilots for ignition.

Cast iron gratings and burners.

Burners: 4 x 3 kW.

Dimensions of the double grill: 285 x 535 mm.

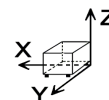
Electric oven made of stainless steel, with heating elements on the base (3 KW) and upper part (3 KW).

Thermostatic valve (130 - 350 °C).

Oven dimensions: 450 x 420 x 300 mm.

Gas power: 12 kW.

**DIMENSIONS**



X Width	600 mm	X Gross width	655 mm
Y Depth	622 mm	Y Gross depth	720 mm
Z Height	1000 mm	Z Gross height	1125 mm
Net Weight	73,0 kg	Gross Weight	75,0 kg
Net volume	0,373 m3	Gross volume	0,531 m3

**ELECTRICITY TECHNICAL SPECIFICATIONS**

Electric power	6,000 kW
Heating power	6,00 kW
Voltage	380-415V - 3N
Electric frequency	50Hz

**GAS TECHNICAL SPECIFICATIONS**

Gas type	LPG
Gas power	12,00 kW
Gas consumption	0,999 kg/h
Regulated	LPG G30/G31 28-30/37 mbar NG G20/G25/G25.1 20/25/25 mbar



Catalogue  
**CATERING**

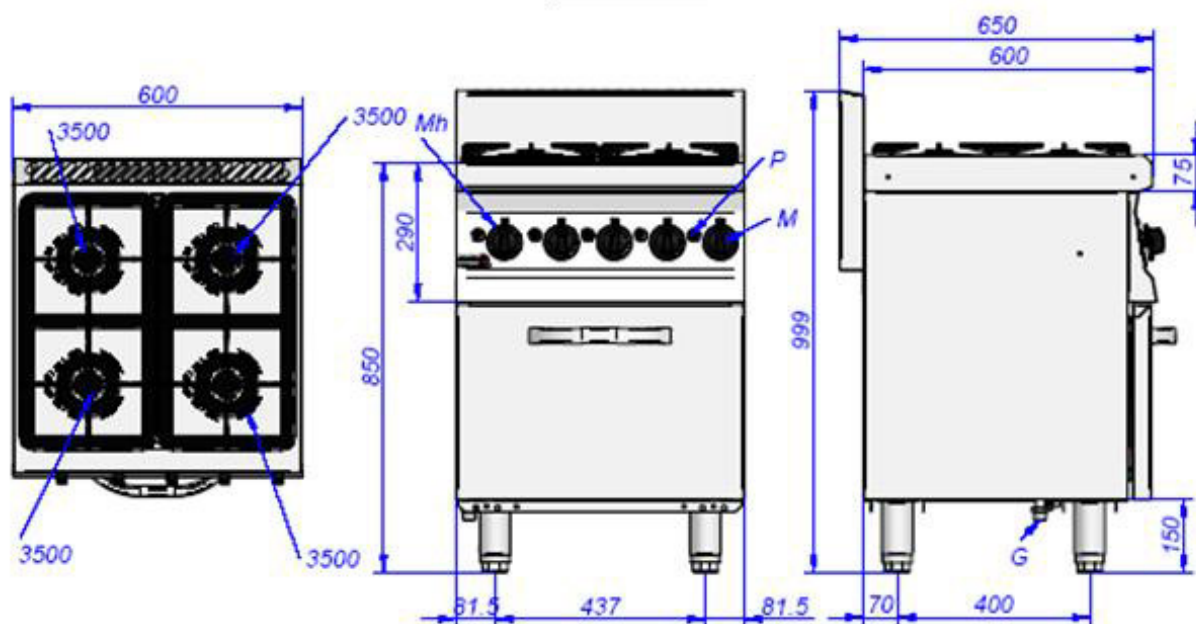
Chapter  
**COOKING**

Model  
**CG6-41 LPG 380-415V 3N**

19006029

21/12/2018

## CG6-41



G:Conexión Gas  
M:Grifo Válvula de mesa  
Mh:Grifo de horno  
P:Piezoeléctrico

G:Connetion Gas  
M:Table tap-valve  
M:Oven-valve  
P:Piezoelectric