



Catalogue
CATERING
Chapter
COOKING

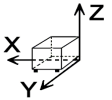
Model
CGB7-61 R LPG

19007812

17/12/2018

GAS RANGE, CGB7-61 R
Model with castors.
Made of stainless steel.
Open hobs with safety valve and thermocouples.
Pilots for ignition.
Cast iron gratings and burners.
Burners: 2x6.9 + 4x5.25 kW.
Dimensions of the grid: 347x310 mm.
UK style oven made of stainless steel, with temperature gradient from top to bottom of oven.
Pilot and thermocouple.
Thermostatic control (130 °C - 350 °C).
Double side door.
Oven burner: 7.8 kW.

DIMENSIONS



X Width	1050 mm	X Gross width	1110 mm
Y Depth	775 mm	Y Gross depth	885 mm
Z Height	850 mm	Z Gross height	1110 mm
Net Weight	155,0 kg	Gross Weight	182,0 kg
Net volume	0,692 m3	Gross volume	1,090 m3

ELECTRICITY TECHNICAL SPECIFICATIONS

Voltage	N/A
Electric frequency	N/A

GAS TECHNICAL SPECIFICATIONS

Gas type	LPG
Gas power	42,60 kW
Gas consumption	3,546 kg/h
Regulated	LPG G30/G31 28-30/37 mbar NG G20/G25/G25.1 20/25/25 mbar



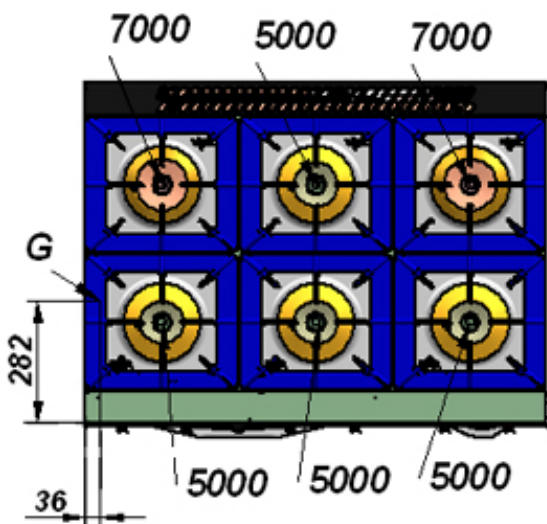
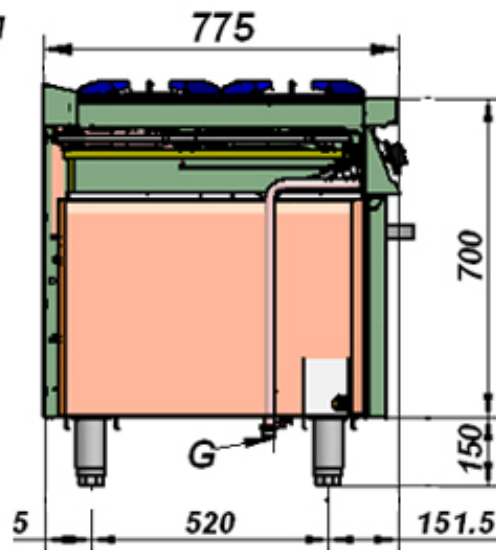
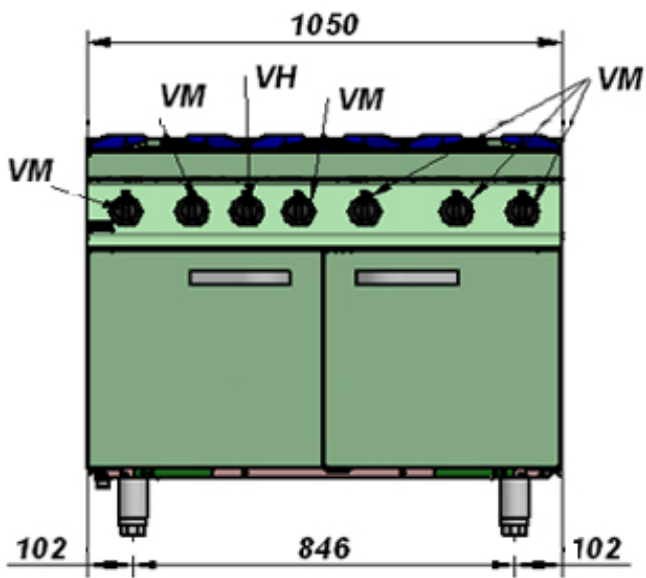
Catalogue
CATERING

Chapter
COOKING

Model
CGB7-61 R LPG

19007812

17/12/2018



G: Entrada de gas
VM: Grifo válvula de mesa
VH: Válvula termostática de horno

G: Gas inlet
VM: Table tap-valve
VH: Oven thermostatic valve