



**Catalogue**  
CATERING  
**Chapter**  
COOKING

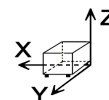
**Model**  
CG7-41 LPG

19007372

17/12/2018

GAS RANGE, CG7-41  
Made of stainless steel.  
Open hobs with safety valve and thermocouples.  
Pilots for ignition.  
Cast iron gratings and burners.  
Burners: 1x6.9 + 3x5.25 kW  
Dimensions of the grill: 347x310 mm.  
Fat collector under the grids.  
2/1 GN oven made of stainless steel, with tubular burner in stainless steel.  
Pilot and thermocouple.  
Thermostatic control (130 °C – 350 °C).  
Oven burner: 7.8 kW.

**DIMENSIONS**



X Width	700 mm	X Gross width	740 mm
Y Depth	775 mm	Y Gross depth	840 mm
Z Height	850 mm	Z Gross height	1045 mm
Net Weight	107,0 kg	Gross Weight	122,0 kg
Net volume	0,461 m3	Gross volume	0,650 m3

**ELECTRICITY TECHNICAL SPECIFICATIONS**

Voltage	N/A
Electric frequency	N/A

**GAS TECHNICAL SPECIFICATIONS**

Gas type	LPG
Gas power	30,45 kW
Gas consumption	2,535 kg/h
Regulated	LPG G30/G31 28-30/37 mbar NG G20/G25/G25.1 20/25/25 mbar



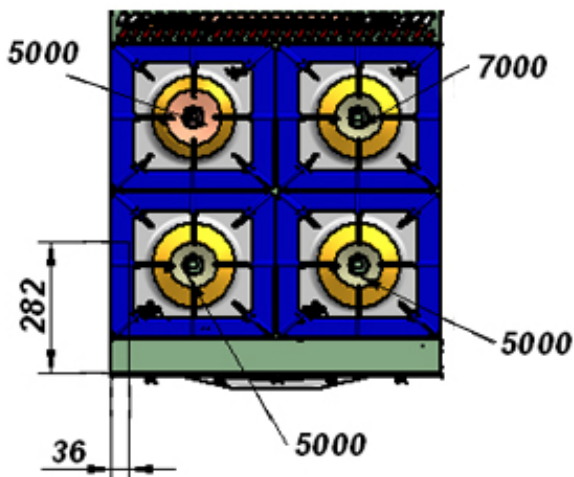
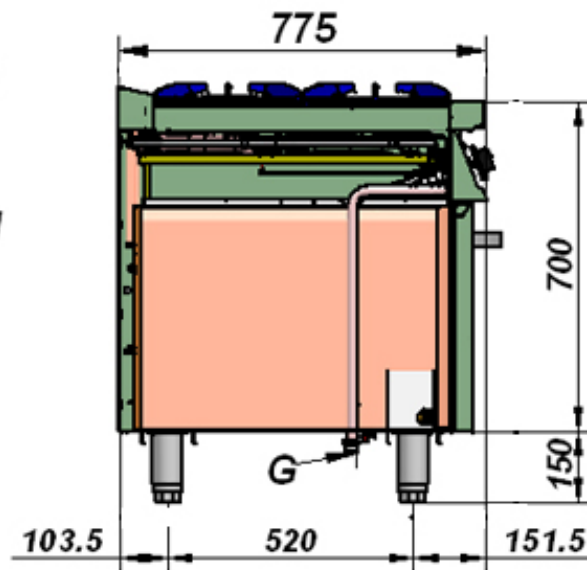
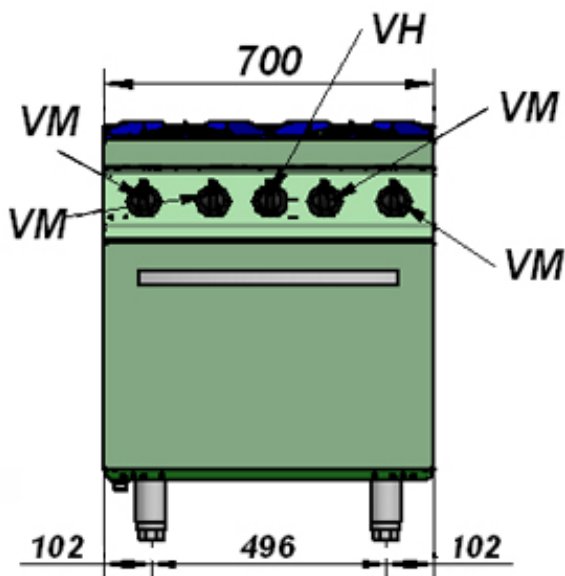
Catalogue  
**CATERING**

Chapter  
**COOKING**

Model  
**CG7-41 LPG**

19007372

17/12/2018



G: Entrada de gas  
VM: Grifo válvula de mesa  
VH: Válvula termostática de horno

G: Gas inlet  
VM: Table tap-valve  
VH: Oven thermostatic valve