



Catalogue
CATERING
Chapter
COOKING

Model
CG7-40 H LPG

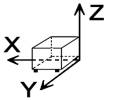
19005175

17/12/2018

GAS RANGE, CG7-40 H
Made of stainless steel.
Open hobs with safety valve and thermocouples.
Pilots for ignition.
Cast iron gratings and burners.
Burners: 4 x 6.9 kW

Fat collector under the grids.

DIMENSIONS



X Width	700 mm	X Gross width	740 mm
Y Depth	775 mm	Y Gross depth	885 mm
Z Height	290 mm	Z Gross height	530 mm
Net Weight	56,0 kg	Gross Weight	67,0 kg
Net volume	0,157 m3	Gross volume	0,347 m3

ELECTRICITY TECHNICAL SPECIFICATIONS

Voltage	N/A
Electric frequency	N/A

GAS TECHNICAL SPECIFICATIONS

Gas type	LPG
Gas power	27,60 kW
Gas consumption	2,297 kg/h
Regulated	LPG G30/G31 28-30/37 mbar NG G20/G25/G25.1 20/25/25 mbar

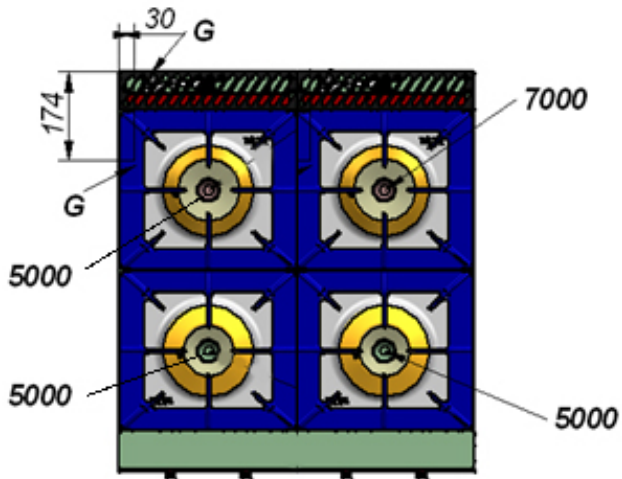
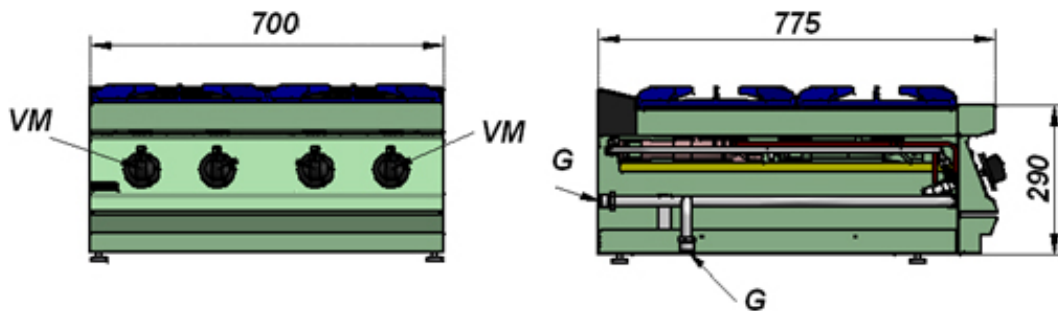


Catalogue
CATERING
 Chapter
COOKING

Model
CG7-40 H LPG

19005175

17/12/2018



G: Entrada de gas

G: Gas inlet

VM: Grifo-válvula de mesa

VM: Table tap-valve