



Catalogue
CATERING
Chapter
COOKING

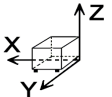
Model
CG7-31 D LPG

19007368

17/12/2018

GAS RANGE, CG7-31 D
Made of stainless steel.
Open hobs with safety valve and thermocouples.
Pilots for ignition. Cast iron gratings and burners.
Burners: 1x6.9 + 1x5.25 kW
Dimensions of the grill: 347x310 mm.
One solid top on the right side of the work-top, cast iron burner.
Burner of 5.25 kW.
Solid top dimensions: 347x620 mm.
2/1 GN oven made of stainless steel with tubular burner in stainless steel.
Pilot and thermocouple.
Thermostatic control (130 °C - 350 °C).
Oven burner: 7,8 kW.

DIMENSIONS



X Width	700 mm	X Gross width	740 mm
Y Depth	775 mm	Y Gross depth	835 mm
Z Height	850 mm	Z Gross height	1045 mm
Net Weight	138,0 kg	Gross Weight	150,0 kg
Net volume	0,461 m3	Gross volume	0,646 m3

ELECTRICITY TECHNICAL SPECIFICATIONS

Voltage	N/A
Electric frequency	N/A

GAS TECHNICAL SPECIFICATIONS

Gas type	LPG
Gas power	25,50 kW
Gas consumption	2,123 kg/h
Regulated	LPG G30/G31 28-30/37 mbar NG G20/G25/G25.1 20/25/25 mbar

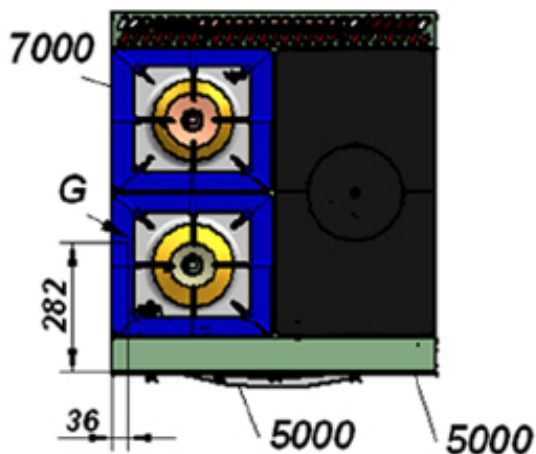
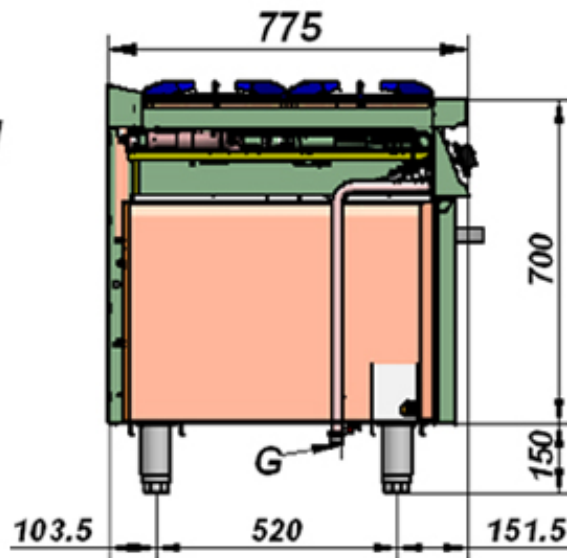
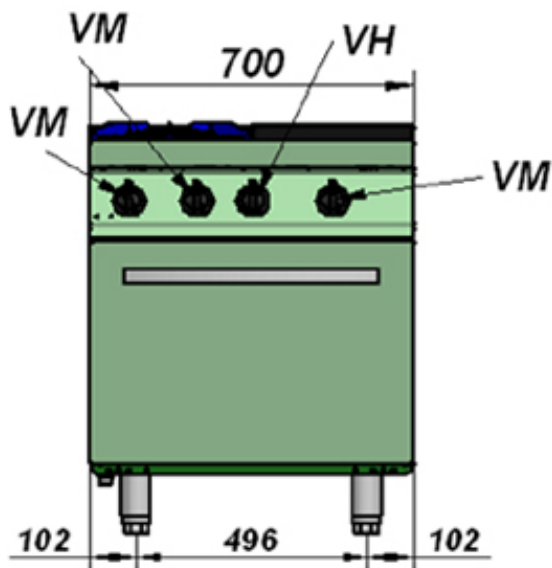


Catalogue
CATERING
Chapter
COOKING

Model
CG7-31 D LPG

19007368

17/12/2018



G: Entrada de gas
VM: Grifo válvula de mesa
VH: Válvula termostática de horno

G: Gas inlet
VM: Table tap-valve
VH: Oven thermostatic valve