



**Catalogue**  
CATERING  
**Chapter**  
COOKING

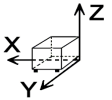
**Model**  
CG7-11 LPG

19007366

17/12/2018

GAS RANGE, CG7-11  
Made of stainless steel.  
Solid top on the work-top.  
Cast iron burner under the solid top.  
Dimensions of the solid top plate: 695 x 620 mm.  
Burner power: 8.4 kW.  
2/1 GN oven made of stainless steel, with tubular burner in stainless steel.  
Pilot and thermocouple.  
Thermostatic control (130 °C - 350 °C).  
Oven burner: 7.8 kW.

**DIMENSIONS**



X Width	700 mm	X Gross width	740 mm
Y Depth	775 mm	Y Gross depth	885 mm
Z Height	850 mm	Z Gross height	1070 mm
Net Weight	141,0 kg	Gross Weight	156,0 kg
Net volume	0,461 m3	Gross volume	0,701 m3

**ELECTRICITY TECHNICAL SPECIFICATIONS**

Voltage	N/A
Electric frequency	N/A

**GAS TECHNICAL SPECIFICATIONS**

Gas type	LPG
Gas power	15,90 kW
Gas consumption	1,323 kg/h
Regulated	LPG G30/G31 28-30/37 mbar NG G20/G25/G25.1 20/25/25 mbar



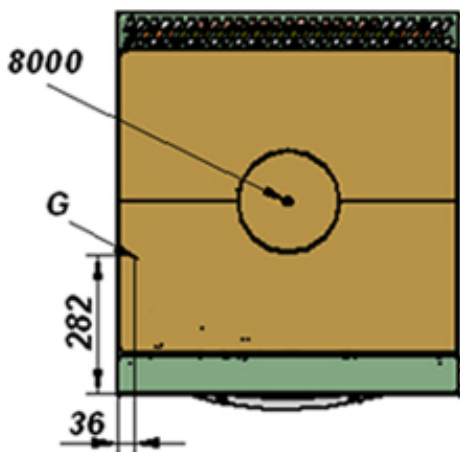
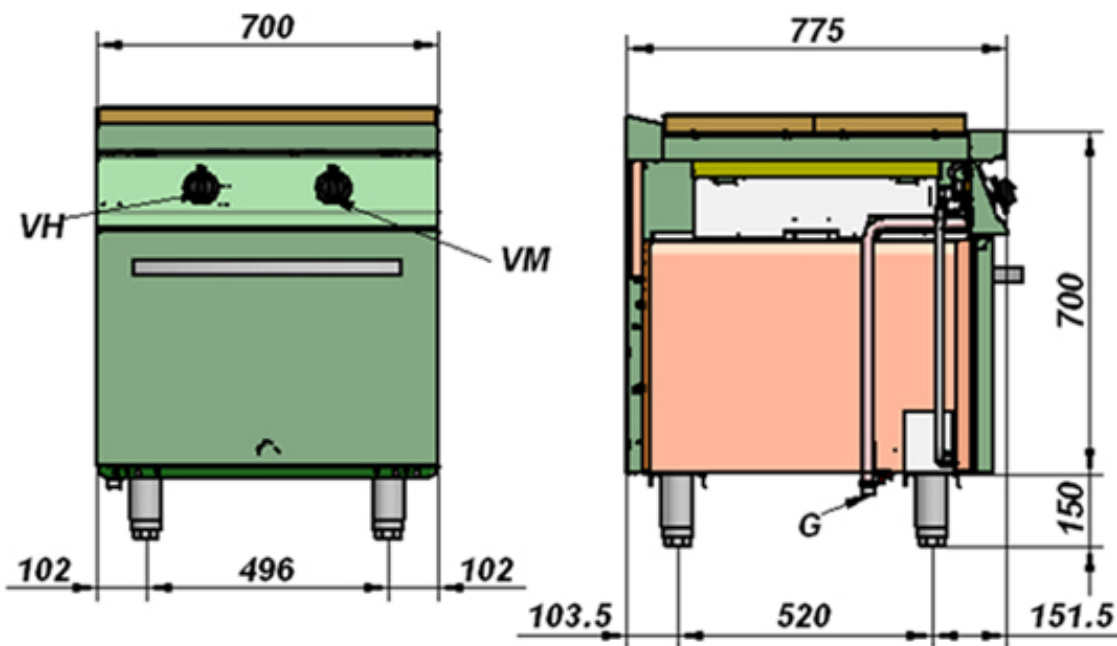
Catalogue  
**CATERING**

Chapter  
**COOKING**

Model  
**CG7-11 LPG**

19007366

17/12/2018



G: Entrada de gas  
VM: Grifo válvula de mesa  
VH: Válvula termostática de horno

G: Gas inlet  
VM: Table tap-valve  
VH: Oven thermostatic valve