



Catalogue
CATERING
Chapter
COOKING

Model
CG6-41 LPG

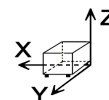
19006025

21/12/2018

GAS RANGE, CG6-41
 Made of stainless steel.
 Open hobs with safety valve and thermocouples.
 Pilots for ignition.
 Cast iron gratings and burners.
 Burners: 4 x 3 kW.
 Dimensions of the double grill: 285 x 535 mm.

Stainless steel oven with 5.2 kW tube-shaped burner.
 Ignition pilot and thermocouple.
 Temperature control with thermostatic valve (130 - 350 °C).
 Oven dimensions: 450 x 420 x 300 mm.

DIMENSIONS



X Width	600 mm	X Gross width	655 mm
Y Depth	622 mm	Y Gross depth	720 mm
Z Height	1000 mm	Z Gross height	1125 mm
Net Weight	73,0 kg	Gross Weight	75,0 kg
Net volume	0,373 m3	Gross volume	0,531 m3

ELECTRICITY TECHNICAL SPECIFICATIONS

Voltage N/A

GAS TECHNICAL SPECIFICATIONS

Gas type LPG

Gas power 17,20 kW

Gas consumption 1,432 kg/h

Regulated LPG G30/G31 28-30/37 mbar

NG G20/G25/G25.1 20/25/25 mbar



Catalogue
CATERING

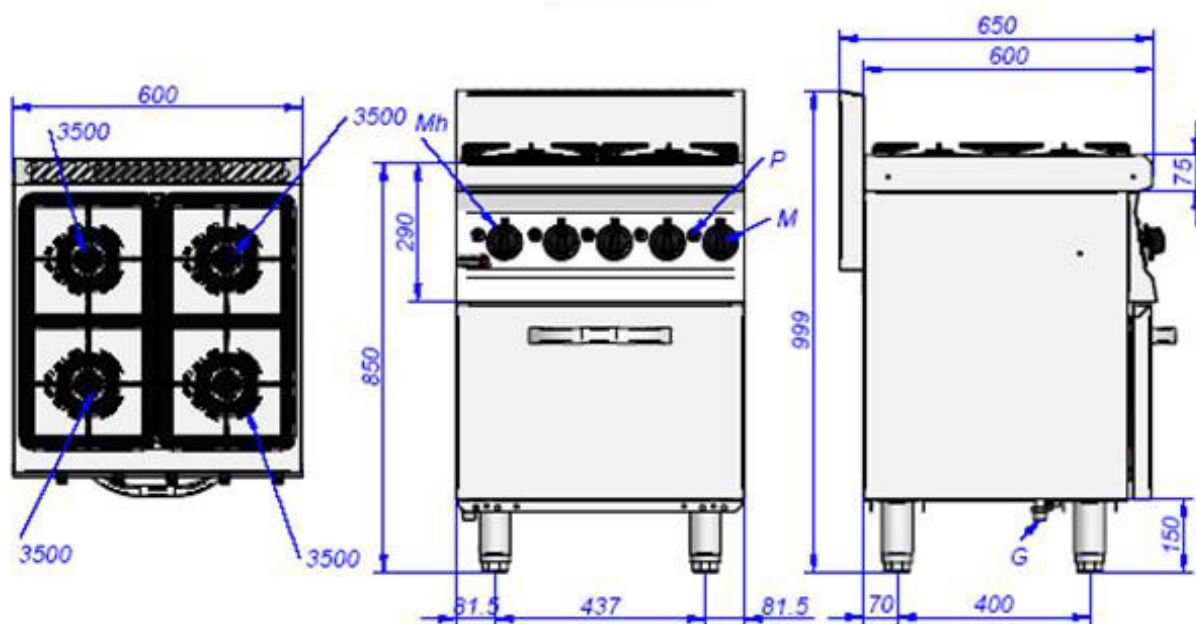
Chapter
COOKING

Model
CG6-41 LPG

19006025

21/12/2018

CG6-41



G: Conexión Gas
M: Grifo Válvula de mesa
Mh: Grifo de horno
P: Piezoeléctrico

G: Connetion Gas
M: Table tap-valve
M: Oven-valve
P: Piezoelectric