



Catalogue
CATERING
Chapter
COOKING

Model
CG-310 LPG

19007728

11/01/2019

GAS RANGE, CG-310
Made in stainless steel.
Open hobs and smooth hot-plate with safety valve and thermocouples.
Pilots for ignition.
Cast iron gratings and burners.
Burners: 1 x 6,5 kW + 1 x 4,41 kW + 1 x 4,41 kW (under plate).
1/1 GN oven in stainless steel.
Oven burner: 5,46 kW.
Pilot and thermocouple.
Thermostatic control (130 °C - 350 °C).
Neutral cabinet.

DIMENSIONS



X Width	1275 mm	X Gross width	635 mm
Y Depth	580 mm	Y Gross depth	1330 mm
Z Height	860 mm	Z Gross height	1105 mm
Net Weight	136,0 kg	Gross Weight	156,0 kg
Net volume	0,636 m3	Gross volume	0,933 m3

ELECTRICITY TECHNICAL SPECIFICATIONS

Voltage	N/A
Electric frequency	N/A

GAS TECHNICAL SPECIFICATIONS

Gas type	LPG
Gas power	22,87 kW
Gas consumption	1,800 kg/h
Regulated	LPG G30/G31 28-30/37 mbar NG G20/G25/G25.1 20/25/25 mbar

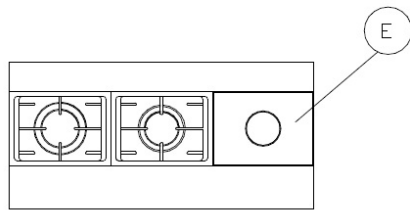
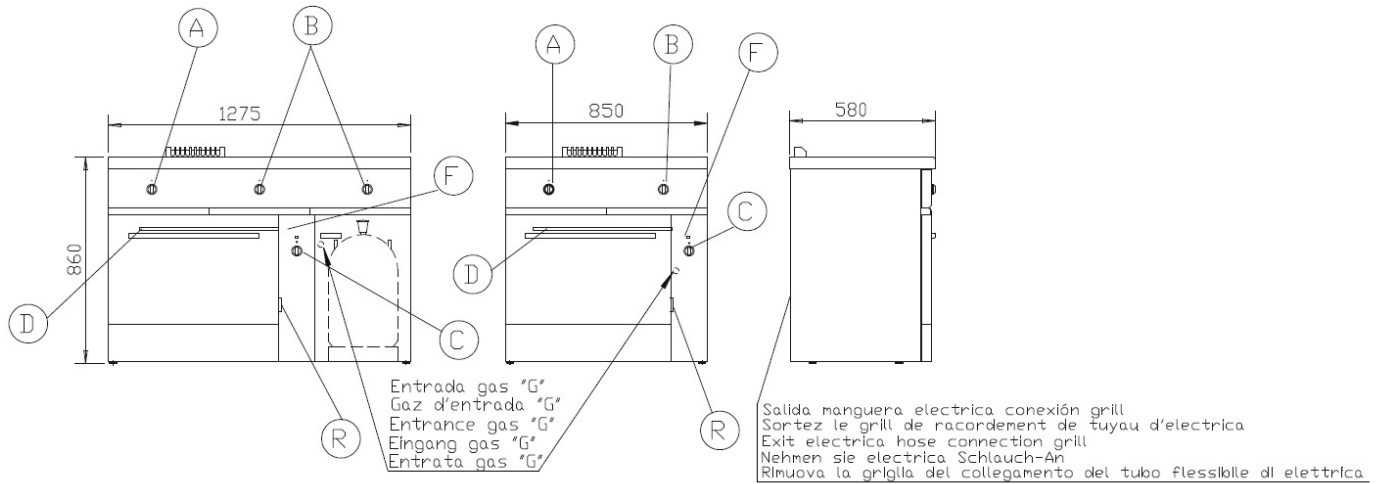


Catalogue
CATERING
Chapter
COOKING

Model
CG-310 LPG

19007728

11/01/2019



- | | |
|---|------------------------------|
| A – Mando quemador 6.5kw | A – 6.5kw burner command |
| B – Mando quemador 4.41kw | B – 4.41kw burner command |
| C – Mando termostato horno | C – Oven's thermostat burner |
| D – Grill | D – Grill |
| E – Plancha | E – Plate |
| F – Interruptor grill | F – Grill switch |
| R – Regleta de conexiones (modelos grill) | R – Connection strip |