



Catalogue
CATERING
Chapter
COOKING

Model
CG-300S SP LPG

19005644

11/01/2019

GAS RANGE, CG-300 S SP
Made in stainless steel.
3 open hobs with safety valve and thermocouples.
Pilots for ignition. Cast iron grids.
Burners: 1 x 6,50 kW + 2 x 4,41 kW.

DIMENSIONS



X Width	1275 mm	X Gross width	1330 mm
Y Depth	580 mm	Y Gross depth	630 mm
Z Height	270 mm	Z Gross height	500 mm
Net Weight	61,0 kg	Gross Weight	74,0 kg
Net volume	0,200 m3	Gross volume	0,419 m3

ELECTRICITY TECHNICAL SPECIFICATIONS

Voltage	N/A
Electric frequency	N/A

GAS TECHNICAL SPECIFICATIONS

Gas type	LPG
Gas power	17,41 kW
Gas consumption	1,370 kg/h
Regulated	LPG G30/G31 28-30/37 mbar NG G20/G25/G25.1 20/25/25 mbar



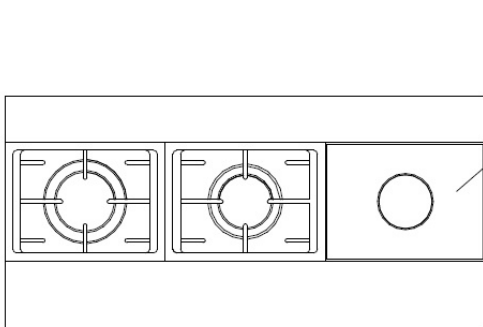
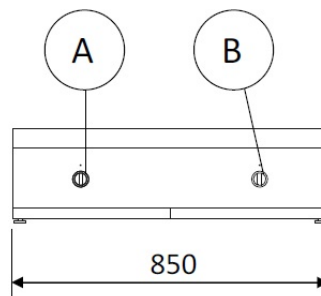
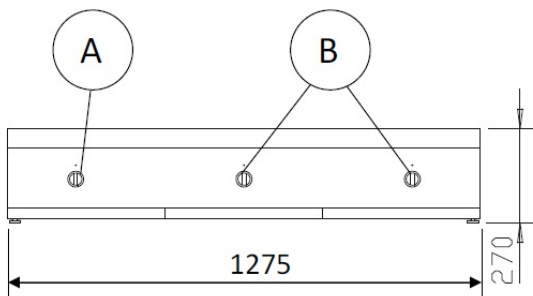
Catalogue
CATERING

Chapter
COOKING

Model
CG-300S SP LPG

19005644

11/01/2019



A – Mando quemador 6.5kw
B – Mando quemador 4.41kw
E – Plancha

A – 6.5kw burner command
B – 4.41kw burner command
E – Plate