



Catalogue
CATERING
Chapter
COOKING

Model
CG-210 G LPG 230V 1N

19006861

11/01/2019

GAS RANGE, CG-210 G

Made in stainless steel.

Open hobs and smooth hot-plate with safety valve and thermocouples.

Pilots for ignition.

Cast iron gratings and burners.

Burners: 1 x 6,50 kW + 1 x 4,41 kW (under plate).

1/1 GN oven in stainless steel.

Oven burner: 5,46 kW.

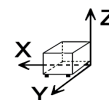
Pilot and thermocouple.

Equipped with electrical grill on the oven top.

Electric power: 2 kW.

Thermostatic control (130 °C - 350 °C).

DIMENSIONS



X Width	850 mm	X Gross width	910 mm
Y Depth	580 mm	Y Gross depth	630 mm
Z Height	860 mm	Z Gross height	1100 mm
Net Weight	112,0 kg	Gross Weight	125,0 kg
Net volume	0,424 m3	Gross volume	0,631 m3

ELECTRICITY TECHNICAL SPECIFICATIONS

Electric power	2,000 kW
Heating power	2,00 kW
Voltage	230V - 1N
Amperage	16A
Electric frequency	50/60Hz

GAS TECHNICAL SPECIFICATIONS

Gas type	LPG
Gas power	16,37 kW
Gas consumption	1,290 kg/h
Regulated	LPG G30/G31 28-30/37 mbar NG G20/G25/G25.1 20/25/25 mbar



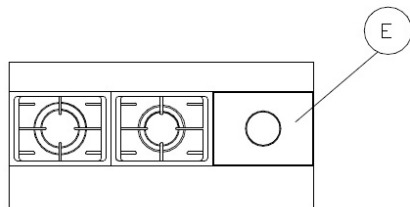
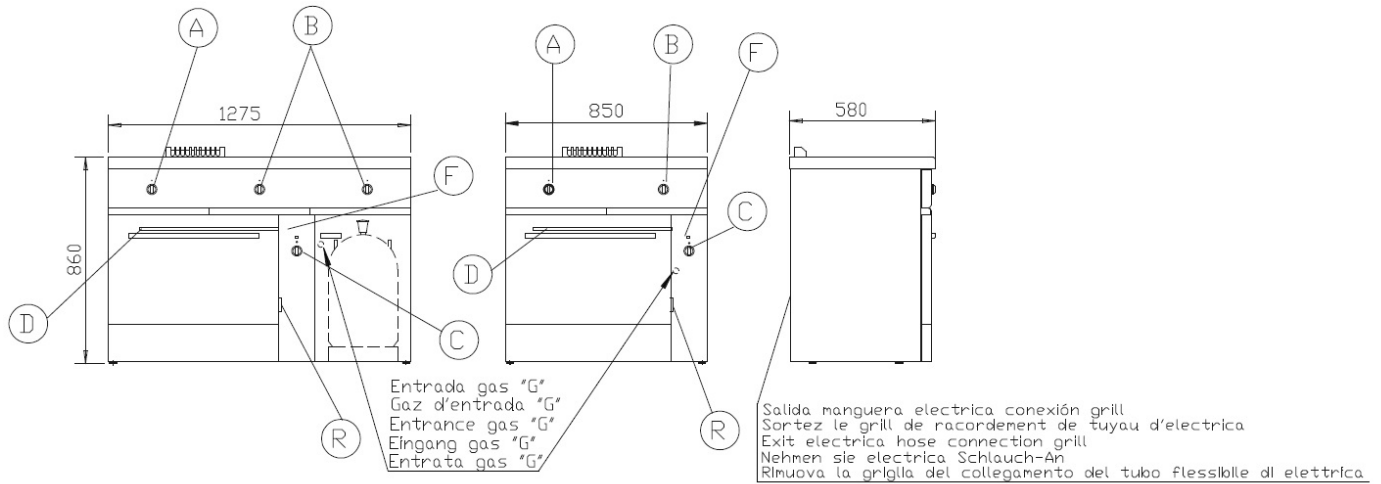
Catalogue
CATERING

Chapter
COOKING

Model
CG-210 G LPG 230V 1N

19006861

11/01/2019



- | | |
|---|------------------------------|
| A – Mando quemador 6.5kw | A – 6.5kw burner command |
| B – Mando quemador 4.41kw | B – 4.41kw burner command |
| C – Mando termostato horno | C – Oven's thermostat burner |
| D – Grill | D – Grill |
| E – Plancha | E – Plate |
| F – Interruptor grill | F – Grill switch |
| R – Regleta de conexiones (modelos grill) | R – Connection strip |