



Catalogue
CATERING
Chapter
COOKING

Model
CG-210 LPG

19006930

11/01/2019

GAS RANGE, CG-210

Made in stainless steel.

Open hobs and smooth hot-plate with safety valve and thermocouples.

Pilots for ignition.

Cast iron gratings and burners.

Burners: 1 x 6,50 kW + 1 x 4,41 kW (under plate).

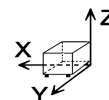
1/1 GN oven in stainless steel.

Oven burner: 5,46 kW.

Pilot and thermocouple.

Thermostatic control (130 °C - 350 °C).

DIMENSIONS



X Width	850 mm	X Gross width	910 mm
Y Depth	580 mm	Y Gross depth	630 mm
Z Height	860 mm	Z Gross height	1100 mm
Net Weight	112,0 kg	Gross Weight	125,0 kg
Net volume	0,424 m3	Gross volume	0,631 m3

ELECTRICITY TECHNICAL SPECIFICATIONS

Voltage N/A

Electric frequency N/A

GAS TECHNICAL SPECIFICATIONS

Gas type LPG

Gas power 16,37 kW

Gas consumption 1,290 kg/h

Regulated LPG G30/G31 28-30/37 mbar

NG G20/G25/G25.1 20/25/25 mbar



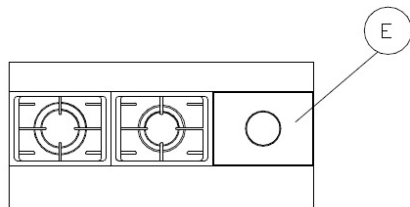
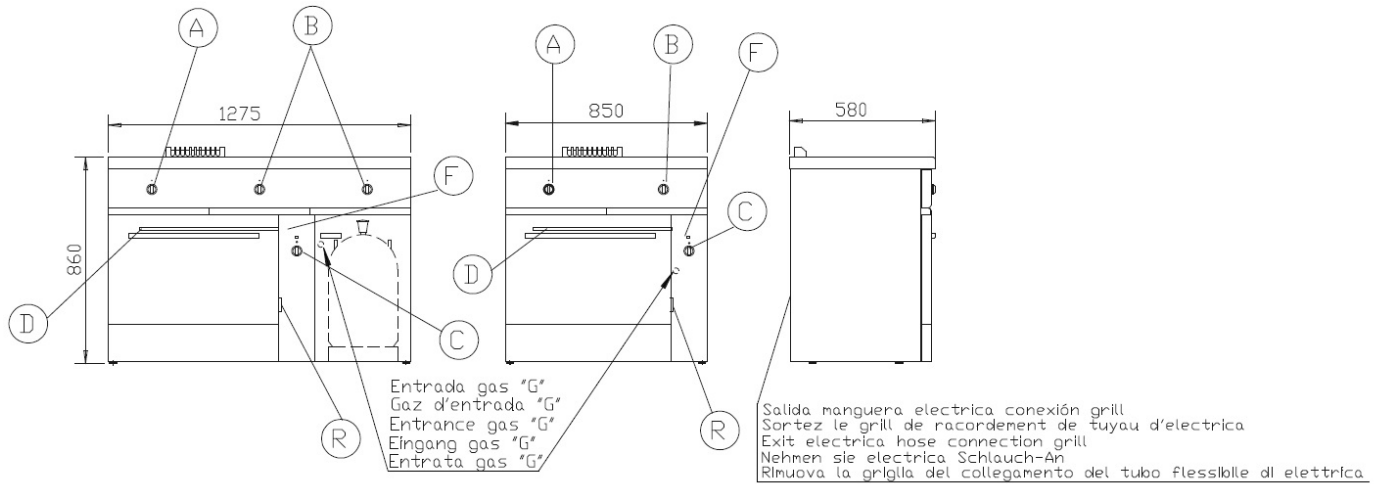
Catalogue
CATERING

Chapter
COOKING

Model
CG-210 LPG

19006930

11/01/2019



- A – Mando quemador 6.5kw
- B – Mando quemador 4.41kw
- C – Mando termostato horno
- D – Grill
- E – Plancha
- F – Interruptor grill
- R – Regleta de conexiones (modelos grill)

- A – 6.5kw burner command
- B – 4.41kw burner command
- C – Oven's thermostat burner
- D – Grill
- E – Plate
- F – Grill switch
- R – Connection strip