



**Catalogue**  
CATERING  
**Chapter**  
COOKING

**Model**  
CG-1502 LPG

19009073

11/01/2019

**GAS CENTRAL RANGE, CG-1502**

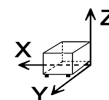
Made in stainless steel.  
Open hobs and smooth hot-plates with safety valves and thermocouples.  
Pilots for ignition. Cast iron gratings and burners.  
Burners: 1x10500 + 1x8000 + 4x4000 (under plate) kcal/h.  
Dimensions of the grill and plate: 425 x 350 mm.  
One passing oven in stainless steel.

One side oven in stainless steel.

Oven burners in stainless steel.  
Pilot and thermocouple.  
Thermostatic control (130 °C – 350 °C).  
Front handrails.

Under order a column of water can be connected

**DIMENSIONS**



|            |          |                |          |
|------------|----------|----------------|----------|
| X Width    | 1400 mm  | X Gross width  | 1495 mm  |
| Y Depth    | 1000 mm  | Y Gross depth  | 1190 mm  |
| Z Height   | 875 mm   | Z Gross height | 1110 mm  |
| Net Weight | 290,0 kg | Gross Weight   | 333,0 kg |
| Net volume | 1,225 m3 | Gross volume   | 1,975 m3 |

**ELECTRICITY TECHNICAL SPECIFICATIONS**

|                    |     |
|--------------------|-----|
| Voltage            | N/A |
| Electric frequency | N/A |

**GAS TECHNICAL SPECIFICATIONS**

|                 |   |
|-----------------|---|
| Gas type        | LPG   |
| Gas power       | 52,00 kW  |
| Gas consumption | 4,260 kg/h  |
| Regulated       | LPG G30/G31 28-30/37 mbar<br>NG G20/G25/G25.1 20/25/25 mbar |



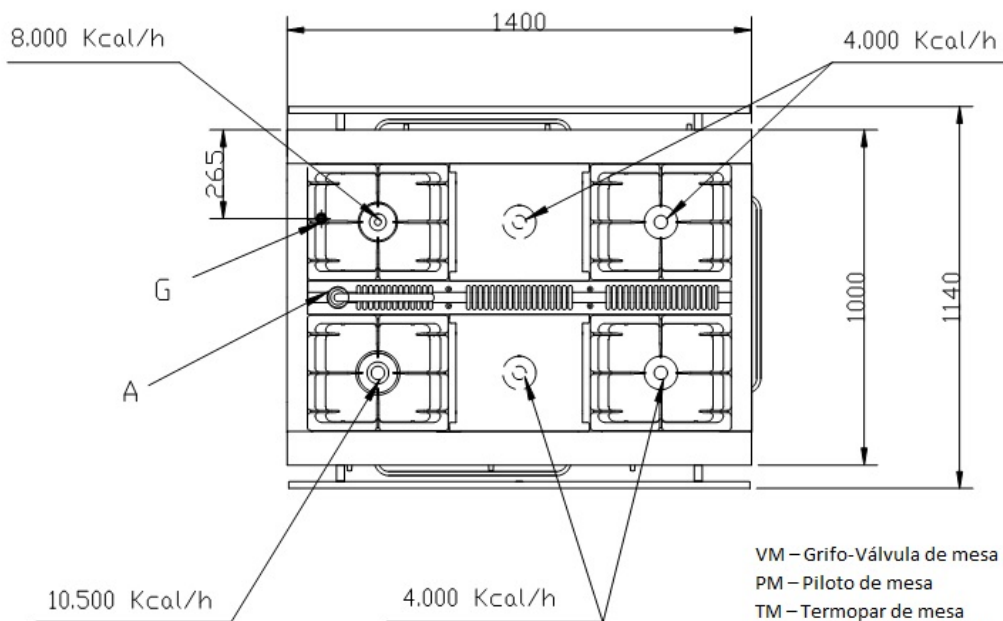
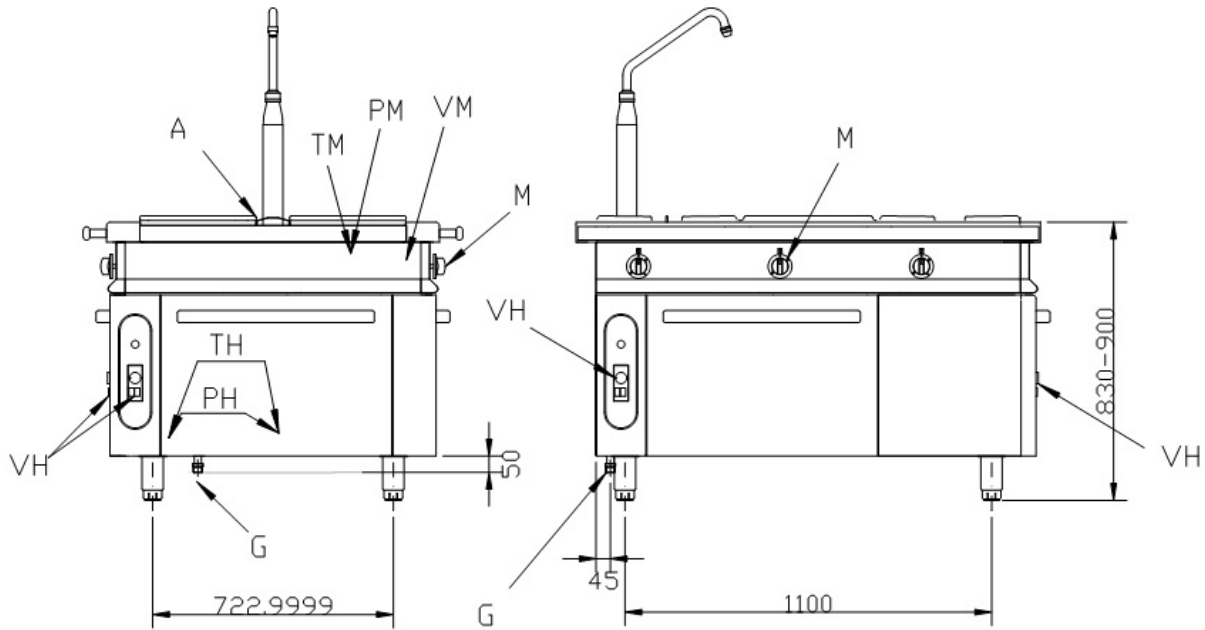
Catalogue  
**CATERING**

Chapter  
**COOKING**

Model  
**CG-1502 LPG**

19009073

11/01/2019



- VM – Grifo-Válvula de mesa
- PM – Piloto de mesa
- TM – Termopar de mesa
- VH – Grifo termostático de horno
- TH – Termopar de horno
- PH – Piloto de horno