



Catalogue
CATERING
Chapter
COOKING

Model
CG-1002 LPG

19008069

11/01/2019

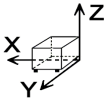
GAS CENTRAL RANGE, CG-1002

Made in stainless steel.
Open hobs and smooth hot-plates with safety valves and thermocouples.
Pilots for ignition. Cast iron gratings and burners.
Burners: 1x10500 + 1x8000 + 2x4000 (under plate) kcal/h.
Dimensions of the grill and plate: 425 x 350 mm.
One passing oven in stainless steel.

Burner in stainless steel.
Pilot and thermocouple.
Thermostatic control (130 °C – 350 °C).
Front handrails.

Under order a column of water can be connected

DIMENSIONS



X Width	850 mm	X Gross width	880 mm
Y Depth	1095 mm	Y Gross depth	1190 mm
Z Height	875 mm	Z Gross height	1110 mm
Net Weight	175,0 kg	Gross Weight	203,0 kg
Net volume	0,814 m3	Gross volume	1,162 m3

ELECTRICITY TECHNICAL SPECIFICATIONS

Voltage	N/A
Electric frequency	N/A

GAS TECHNICAL SPECIFICATIONS

Gas type	LPG
Gas power	38,00 kW
Gas consumption	3,120 kg/h
Regulated	LPG G30/G31 28-30/37 mbar NG G20/G25/G25.1 20/25/25 mbar



Catalogue
CATERING

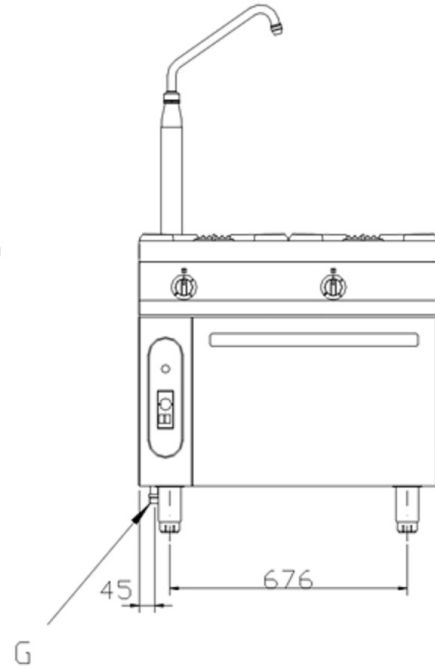
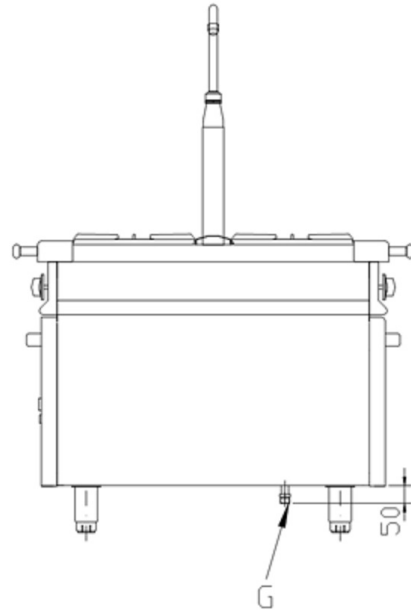
Chapter
COOKING

Model
CG-1002 LPG

19008069

11/01/2019

I



8.000 Kcal/h

4.000 Kcal/h

265

G

4.000 Kcal/h

10.500 Kcal/h

850