



Catalogue
CATERING
Chapter
COOKING

Model
CE7-41 380-415V 3N

19007261

17/12/2018

ELECTRIC RANGE, CE7-41

Made of stainless steel.

Cast iron hot- plates with shielded elements.

6 settings switch. Indicator lights.

Plates: 3 x 2.600 W (Ø 220 mm) + 1 x 1.500 W (Ø 150 mm).

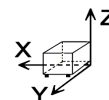
2/1 GN oven made of stainless steel, with upper and lower heating elements (3 + 3 KW).

Selector switch for the elements.

Thermostatic control (130 °C – 350 °C).

Oven power: 6 kW.

DIMENSIONS



| | | | |
|------------|----------|----------------|----------|
| X Width | 700 mm | X Gross width | 740 mm |
| Y Depth | 775 mm | Y Gross depth | 835 mm |
| Z Height | 850 mm | Z Gross height | 1060 mm |
| Net Weight | 90,0 kg | Gross Weight | 100,0 kg |
| Net volume | 0,461 m3 | Gross volume | 0,655 m3 |

ELECTRICITY TECHNICAL SPECIFICATIONS

| | |
|--------------------|---------------|
| Electric power | 15,300 kW |
| Heating power | 15,30 kW |
| Voltage | 380-415V - 3N |
| Amperage | 40A |
| Electric frequency | 50/60Hz |



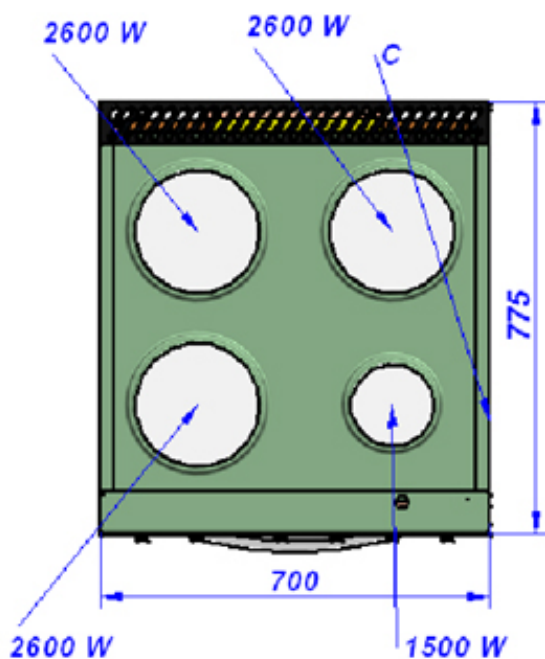
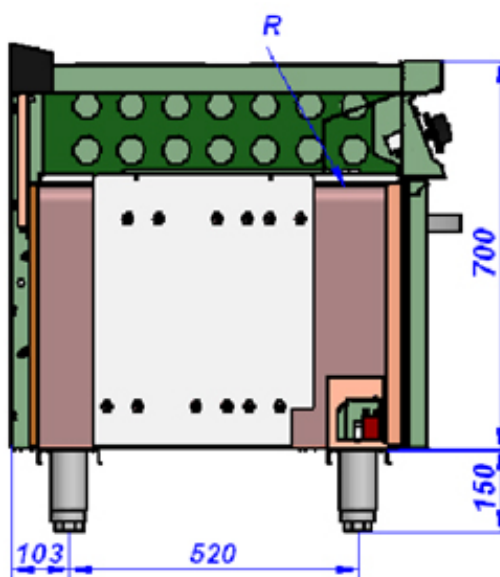
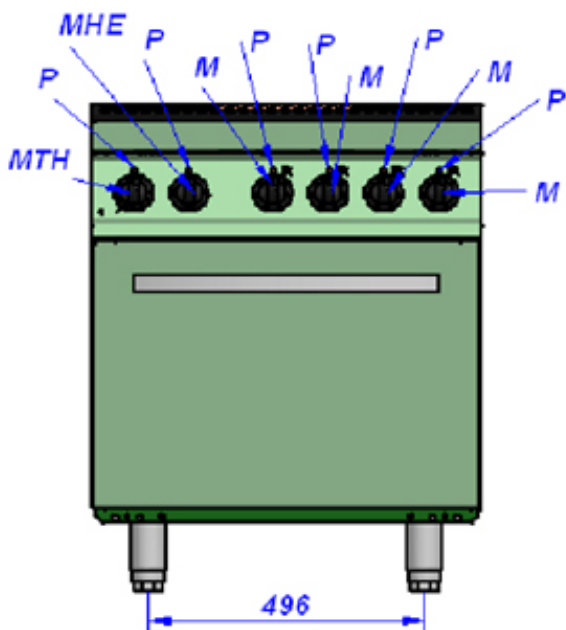
Catalogue
CATERING

Chapter
COOKING

Model
CE7-41 380-415V 3N

19007261

17/12/2018



R: regleta para conexión eléctrica
M: Botón de mando de placa
MTH: Mando termostato de horno
MHE: Selector de horno

R: Electrical connection switch
M: Control knob
MTH: Thermostatic control for oven
MHE: Selector for oven