



**Catalogue**  
CATERING  
**Chapter**  
COOKING

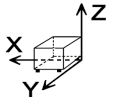
**Model**  
CE7-40 Q 380-415V 3N

19005726

30/05/2019

ELECTRIC RANGE, CE7-40 Q  
Made of stainless steel.  
Cast iron hot- plates with shielded elements.  
6 settings switch. Indicator lights.  
Square plates: 4 x 3.000 W (300 x 300).

**DIMENSIONS**



X Width	700 mm	X Gross width	740 mm
Y Depth	775 mm	Y Gross depth	885 mm
Z Height	290 mm	Z Gross height	520 mm
Net Weight	36,0 kg	Gross Weight	45,0 kg
Net volume	0,157 m3	Gross volume	0,341 m3

**ELECTRICITY TECHNICAL SPECIFICATIONS**

Electric power	12,000 kW
Heating power	12,00 kW
Voltage	380-415V - 3N
Amperage	18A
Electric frequency	50/60Hz

**CONNECTIONS TECHNICAL SPECIFICATIONS**

230 V three-phase wiring	3X4+T - 40 A
Single-phase 230V wiring	2X10+T - 50 A
Three-phase +N 40V wiring	4X2,5+T - 32 A



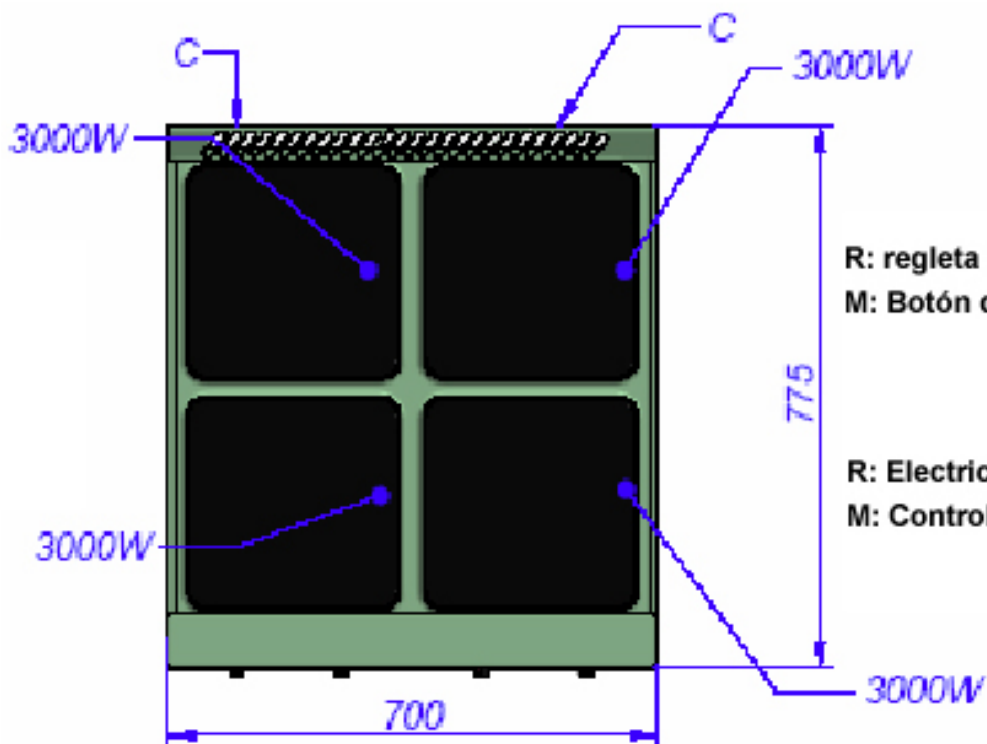
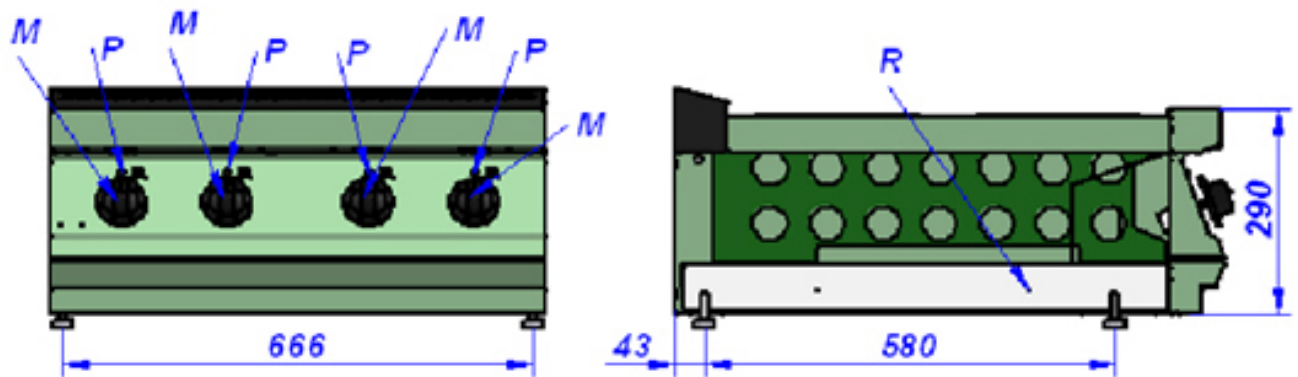
Catalogue  
**CATERING**

Chapter  
**COOKING**

Model  
**CE7-40 Q 380-415V 3N**

19005726

30/05/2019



R: regleta para conexión eléctrica  
M: Botón de mando de placa

R: Electrical connection switch  
M: Control knob