



Catalogue
CATERING
Chapter
COOKING

Model
C-E941 380-415V 3N

19013380

14/12/2018

4-HOT PLATES ELECTRIC RANGE ON OVEN, C-E941

Electric top plates are adequate for a variety of containers such as pans, saucepans, etc.

Depending on the container, you may stew, boil, make soup, legumes, scrambled eggs, fried dishes...

2 mm stainless AISI-304 steel embedded top with rounded edges for easy cleaning.

Laser cut and automatic welding for a perfect side to side adjustment of modules with square angle finish.

4 kW power 300 x 300 mm cast iron heating plates tight adjusted to the embedded top stove.

Number of plates: 4.

Power adjustment by 7-position knob. Independent safety thermostat for each plate.

Inner fan to reduce the temperature of the components.

GN-2/1 OVEN

Easy to use GN 2/1 size oven, with controls at the top.

Fully stainless steel cooking chamber, for easy cleaning and higher hygienic standards.

Wide side insertion tray for an enhance manoeuvrability.

Three level guides to provide different working options.

Thermostatic valve for temperature control (125 - 310°C).

Heated by shielded stainless steel electrical resistances with a top or lower zone selector.

Total heating power: 6 kW

6 mm thick cast iron bottom to ensure a better performance and an even distribution of heat.

Fibreglass seal for an enhance thermal efficiency of the oven.

Removable door for easy maintenance.

Water-tight and protecting-support controls.

High temperature protector for the chimney made of enamelled cast iron.

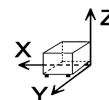
Front access to components.

According to European standards for components and panels temperature, efficiencies and combustion, and sanitary regulations (EN-60335 and EN-203)

IPX5 grade water protection equipment.

DIMENSIONS

X Width	800 mm	X Gross width	840 mm
Y Depth	930 mm	Y Gross depth	1020 mm
Z Height	850 mm	Z Gross height	1140 mm
Net Weight	150,0 kg	Gross Weight	172,0 kg
Net volume	0,650 m3	Gross volume	0,977 m3



ELECTRICITY TECHNICAL SPECIFICATIONS

Electric power	22,000 kW
Heating power	22,00 kW
Voltage	380-415V - 3N
Amperage	40A
Electric frequency	50/60Hz



Catalogue
CATERING

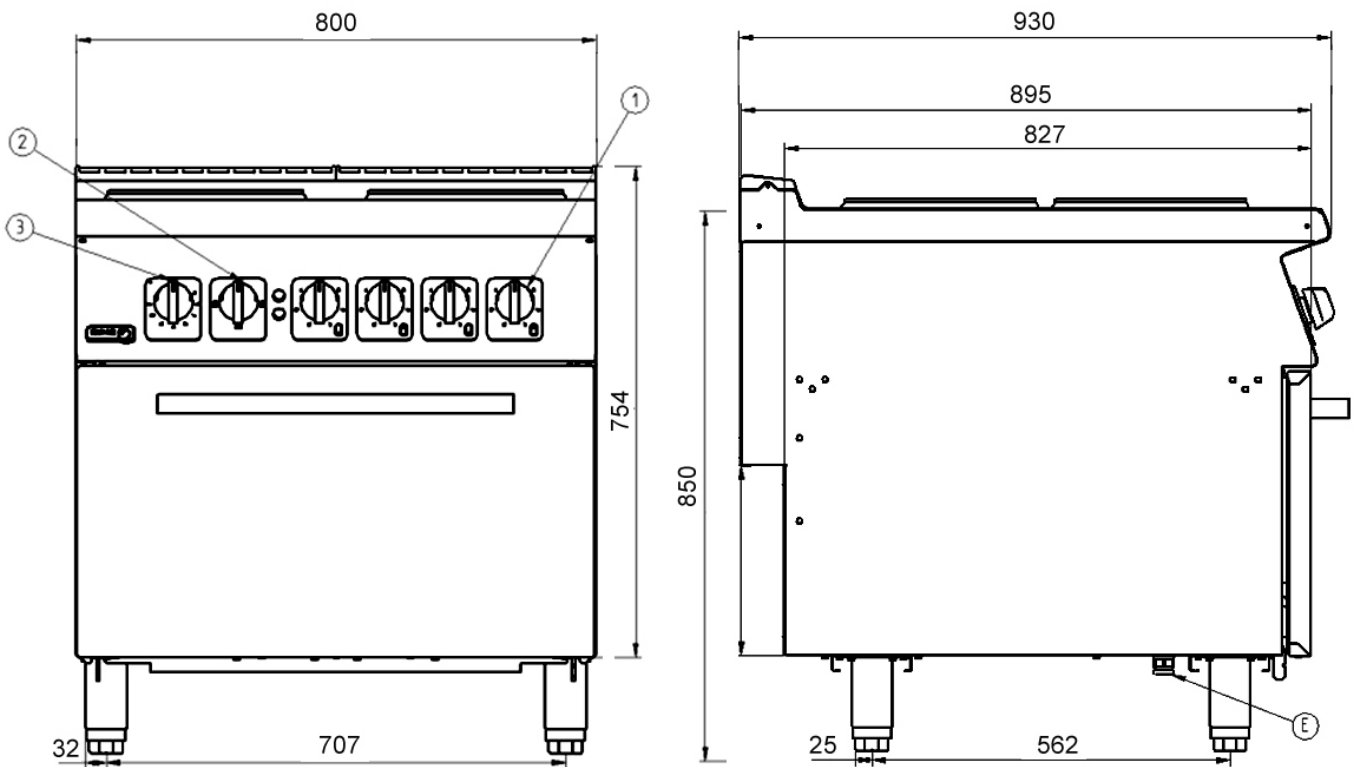
Chapter
COOKING

Model
C-E941 380-415V 3N

19013380

14/12/2018

C-E941 / C-E911



- E. Conexión eléctrica
1. Mando placas M
2. Mando horno 1
3. Mando horno 2

- Electrical connection
M plates control
Oven control 1
Oven control 2