



Catalogue
CATERING
Chapter
COOKING

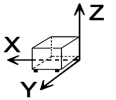
Model
BG6-05 I LPG

19004435

21/12/2018

GAS CHARCOAL GRILL, BG6-05 I
Made of stainless steel.
Burner in stainless steel with pilot.
Piezoelectric burner ignition.
Safety valve and thermocouple.
Lava rocks.
Stainless steel grid. Grid dimensions: 400 x 500 mm.
The angle of the cooking grid can be adjusted.
Fat collector.

DIMENSIONS



X Width	400 mm	X Gross width	455 mm
Y Depth	432 mm	Y Gross depth	720 mm
Z Height	445 mm	Z Gross height	580 mm
Net Weight	35,0 kg	Gross Weight	36,0 kg
Net volume	0,077 m3	Gross volume	0,190 m3

ELECTRICITY TECHNICAL SPECIFICATIONS

Voltage	N/A
Electric frequency	N/A

GAS TECHNICAL SPECIFICATIONS

Gas type	LPG
Gas power	7,00 kW
Gas consumption	0,583 kg/h
Regulated	LPG G30/G31 28-30/37 mbar NG G20/G25/G25.1 20/25/25 mbar



Catalogue
CATERING

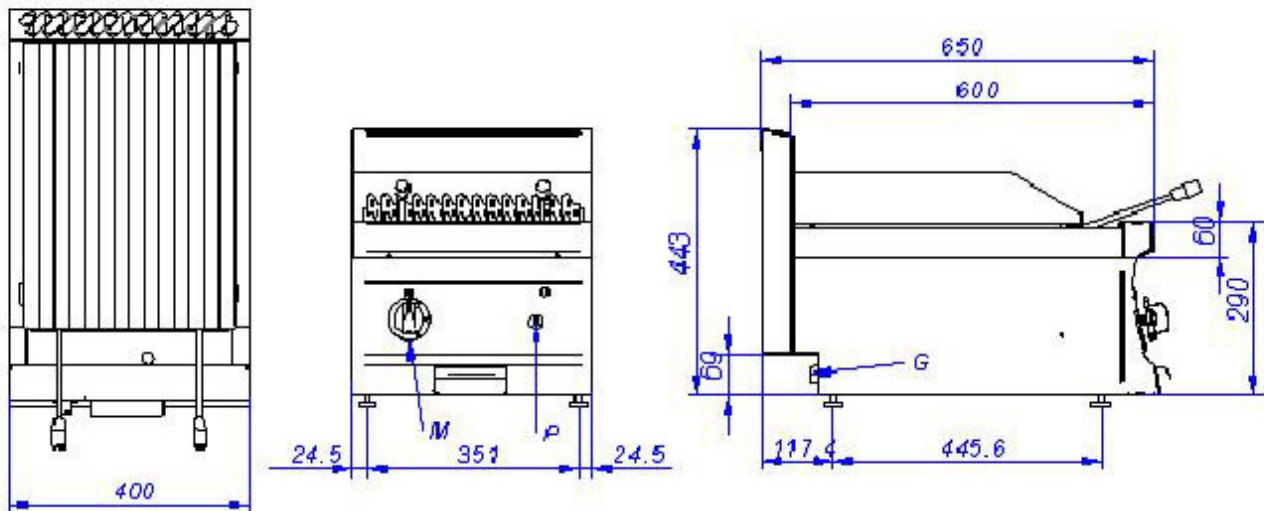
Chapter
COOKING

Model
BG6-05 | LPG

19004435

21/12/2018

BG6-05



G: Entrada de gas
M: Grifo de válvula gas
P: Piezoelectrico

G: Gas inlet
M: Gas valve tap
P: Piezoelectric