



Catalogue
CATERING
Chapter
COOKING

Model
 B-G9101 I LPG 230V 1N

19044780

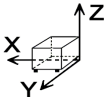
14/12/2018

GAS GRILL TOP, B-G9101 I

The new Fagor industrial grills do not carbonize food surface and provide a healthy cooking.
 Our grills reach a very high temperature (400°C) that seals the product surface quickly and keeps a more juicy inside .
 Their new features include steam cooking.
 2 mm stainless AISI-304 steel top with rounded edges for easy cleaning. Laser cut and automatic welding for a perfect adjustment of sides between modules with square angle finish.
 Gas heated model with three tubular burners with radiant plates. Independent control for each burner group by means of safety valve with thermocouple. Electronic ignition.
 Stainless steel grill with two 340 mm wide sections. Easy to remove without tools for any easy cleaning.
 Reversible grill to cook different products in a different way:
 _Grooved side and slanted grill for meat.
 _Smooth flat horizontal side for fish and vegetables
 Food gets cooked and grilled from direct contact and heat irradiation from underneath burners.
 Grill surface 48 dm²
 Fitted with two cooking fat drainage holes at the front to collect fat and grease from cooking, and 12 litre collecting trays at the bottom. Fat collecting trays may be filled with water. Thanks to the heat irradiated by the burners a low intensity steam is produced to cook in a steam atmosphere.
 Removable 130 mm stainless steel anti splash shield, easy to wash.
 Water-tight and protecting-support controls.
 High temperature protector for the chimney made of enamelled cast iron. Front access to components.
 According to European standards for components and panels temperature, efficiencies and combustion, and sanitary regulations (EN-60335 and EN-203)
 IPX5 grade water protection equipment.

DIMENSIONS

X Width	800 mm	X Gross width	840 mm
Y Depth	930 mm	Y Gross depth	1022 mm
Z Height	850 mm	Z Gross height	1265 mm
Net Weight	70,0 kg	Gross Weight	80,0 kg
Net volume	0,632 m ³	Gross volume	1,086 m ³



ELECTRICITY TECHNICAL SPECIFICATIONS

Electric power	0,100 kW
Voltage	230V - 1N
Amperage	2A
Electric frequency	50/60Hz

GAS TECHNICAL SPECIFICATIONS

Gas type	LPG
Gas power	22,00 kW
Gas consumption	1,710 kg/h
Regulated	LPG G30/G31 28-30/37 mbar NG G20/G25/G25.1 20/25/25 mbar



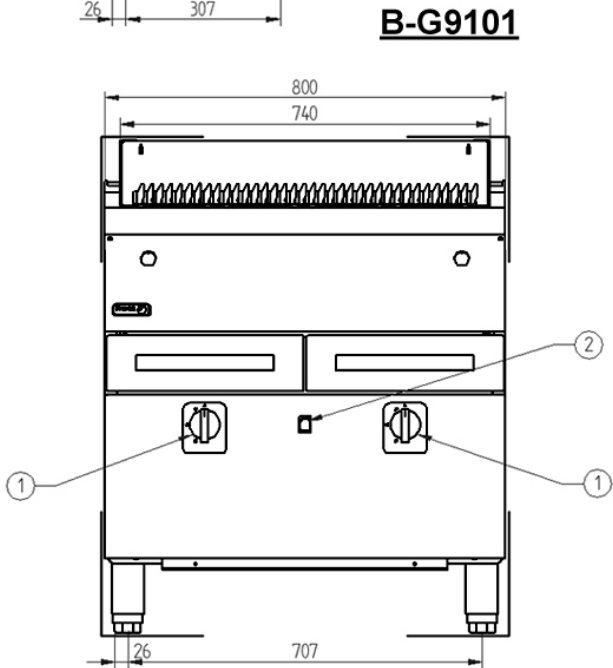
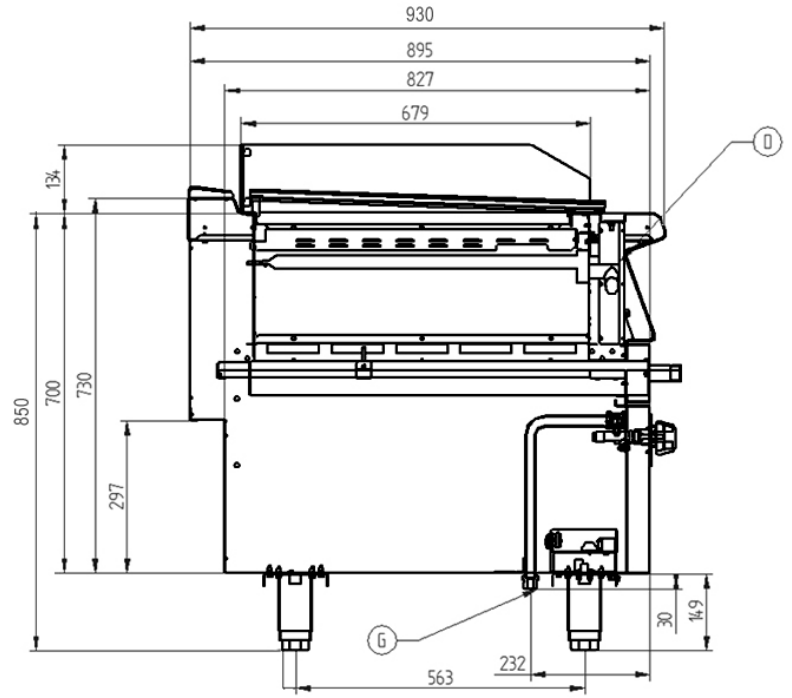
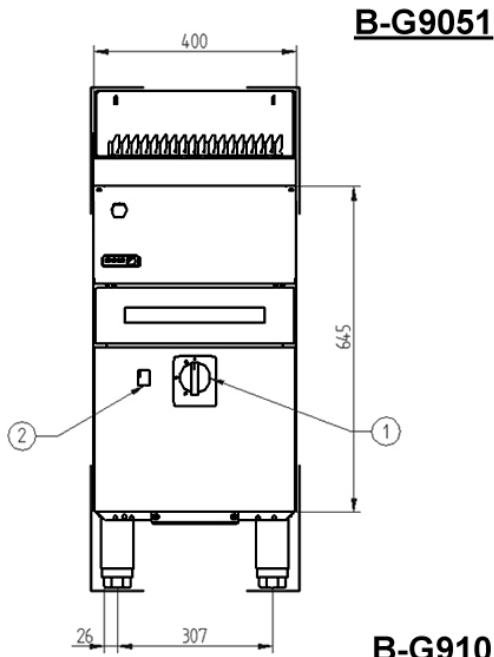
Catalogue
CATERING

Chapter
COOKING

Model
B-G9101 | LPG 230V 1N

19044780

14/12/2018



G – Entrada de Gas
D – Desagüe
1 – Grifo válvula de gas
2 – Pulsador tren de chispas

Gas Inlet
Drainage
Gas valve tap
Piezoelectric ignitor