



**Catalogue**  
**CATERING**  
**Chapter**  
**OVENS**

**Model**  
 AG-101 LPG 230V 1N 50Hz

19010041

24/01/2019

**GAS ADVANCE COMBI OVEN, AG-101**

High quality, fast cooking :

Professional quality  
 Easy to use and efficient  
 perfect results  
 Affordable

Capacity for 10 1/1-GN trays.

Stainless steel burner with electronic control system with sparking plug ignition.

Frequency modulation for the convection burner.

Push-button and "Scrolling" controls.

5 cooking methods: Steam, Low-temperature steam, Regeneration, Combination and Convection (up to 300°C).

Preheating option.

Overnight cooking or low-temperature programme.

3 Speeds - 2 power ranges.

Cold-Down chamber cooling system.

"Auto-reverse" system to reverse fan rotation.

Multisensor core temperature probe.

Steam generator equipped with limescale detector.

Steam generator automatically empties every 24 hours of cooking.

Semi-automatic limescale removal system.

Error detection system. "Repair service" mode system.

IPX-5 protection.

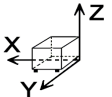
AUTOMATIC CLEANING - Wash program for the cooking chamber.

Retractable shower.

Accessories in option:

Support SH-11  
 Structure for trays EB-101  
 Structure for dishes EP-101  
 Loading trolley CP-11

**DIMENSIONS**



X Width	898 mm	X Gross width	980 mm
Y Depth	922 mm	Y Gross depth	1060 mm
Z Height	1117 mm	Z Gross height	1345 mm
Net Weight	170,0 kg	Gross Weight	201,0 kg
Net volume	0,925 m3	Gross volume	1,397 m3

**ELECTRICITY TECHNICAL SPECIFICATIONS**

Electric power	1,200 kW
Voltage	230V - 1N
Amperage	5,2
Electric frequency	50Hz

**GAS TECHNICAL SPECIFICATIONS**

Gas type	LPG
Gas power	18,00 kW
Gas consumption	1,498 kg/h
Regulated	LPG G30/G31 28-30/37 mbar

**WATER TECHNICAL SPECIFICATIONS**

Water max consumption	30,00 L/h
Pressure	H2O: 200-400kPa(2-4bar)

**OTHERS**

Noise level	62,00 dB
-------------	----------



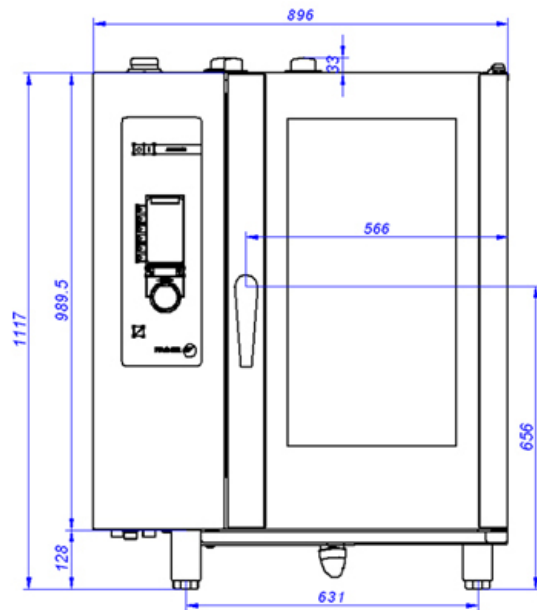
Catalogue  
**CATERING**

Chapter  
**OVENS**

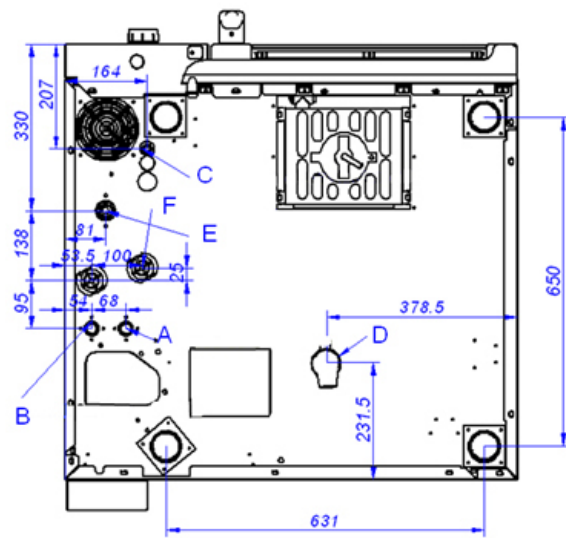
Model  
**AG-101 LPG 230V 1N 50Hz**

19010041

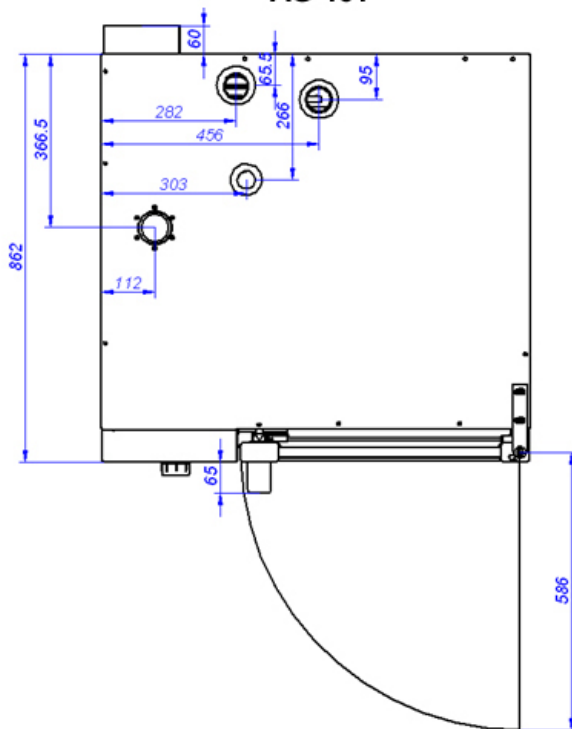
24/01/2019



**AG-101**



VISTA DE LA BASE DESDE LA PARTE INFERIOR  
VIEW FROM THE BOTTOM OF THE MACHINE



A: Entrada de agua blanda  
B: Entrada de agua dura  
D: Desagüe

C: Alimentación eléctrica

E: Entrada de gas

F: Entrada de aire

A: Soft water inlet  
B: Water inlet  
D: Drain

C: Electrical connection

E: Gas inlet

F: Air