



Catalogue
CATERING
Chapter
OVENS

Model
 AG-202 LPG 230V 1N 50Hz

19011108

24/01/2019

GAS ADVANCE COMBI OVEN, AG-202

High quality, fast cooking :

Professional quality
 Easy to use and efficient
 perfect results
 Affordable

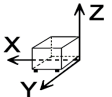
Capacity for 20 2/1-GN trays or 40 1/1-GN trays.

Stainless steel burner with electronic control system with sparking plug ignition.
 Frequency modulation for the convection burner.
 Push-button and "Scrolling" controls.
 5 cooking methods: Steam, Low-temperature steam, Regeneration, Combination and Convection (up to 300°C).
 Preheating option.
 Overnight cooking or low-temperature programme.
 3 Speeds - 2 power ranges.
 Cold-Down chamber cooling system.
 "Auto-reverse" system to reverse fan rotation.
 Multisensor core temperature probe.
 Steam generator equipped with limescale detector.
 Steam generator automatically empties every 24 hours of cooking.
 Semi-automatic limescale removal system.
 Error detection system. "Repair service" mode system.
 IPX-5 protection.
 AUTOMATIC CLEANING - Wash program for the cooking chamber.
 Retractable shower.
 Includes trolley with integrated structure for trays CEB-202.

Accessories in option:

trolley with integrated Structure for dishes CEP-202
 Thermal cover LTE-202

DIMENSIONS



| | | | |
|------------|----------|----------------|----------|
| X Width | 1162 mm | X Gross width | 1250 mm |
| Y Depth | 1074 mm | Y Gross depth | 1200 mm |
| Z Height | 1841 mm | Z Gross height | 2080 mm |
| Net Weight | 403,0 kg | Gross Weight | 470,0 kg |
| Net volume | 2,298 m3 | Gross volume | 3,120 m3 |

ELECTRICITY TECHNICAL SPECIFICATIONS

| | |
|--------------------|-----------|
| Electric power | 2,400 kW |
| Voltage | 230V - 1N |
| Amperage | 10,4 |
| Electric frequency | 50Hz |

GAS TECHNICAL SPECIFICATIONS

| | |
|-----------------|---------------------------|
| Gas type | LPG |
| Gas power | 65,00 kW |
| Gas consumption | 5,408 kg/h |
| Regulated | LPG G30/G31 28-30/37 mbar |

WATER TECHNICAL SPECIFICATIONS

| | |
|-----------------------|-------------------------|
| Water max consumption | 30,00 L/h |
| Pressure | H2O: 200-400kPa(2-4bar) |

OTHERS

| | |
|-------------|----------|
| Noise level | 62,00 dB |
|-------------|----------|



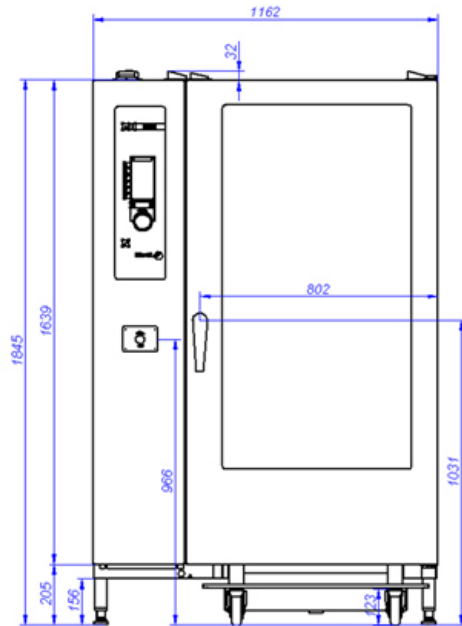
Catalogue
CATERING

Chapter
OVENS

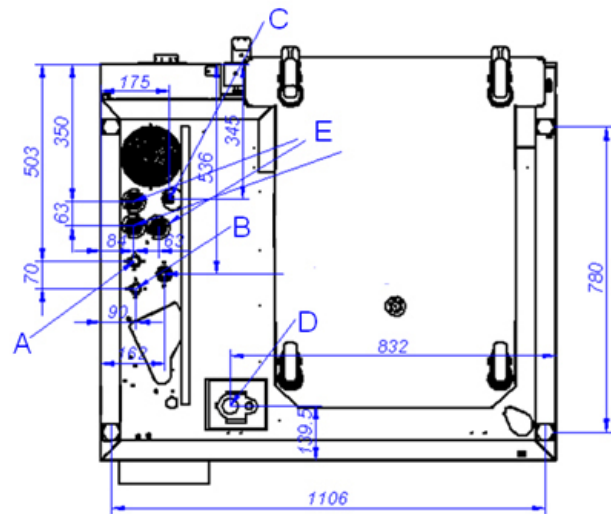
Model
AG-202 LPG 230V 1N 50Hz

19011108

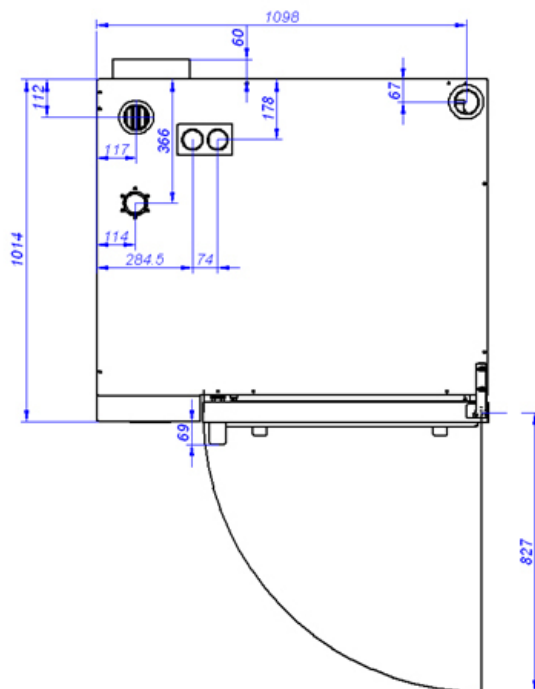
24/01/2019



AG-202



VISTA DE LA BASE DESDE LA PARTE INFERIOR
VIEW FROM THE BOTTOM OF THE MACHINE



A: Entrada de agua blanda
B: Entrada de agua dura
D: Desagüe

C: Alimentación eléctrica

E: Entrada de gas

F: Entrada de aire

A: Soft water inlet
B: Water inlet
D: Drain

C: Electrical connection

E: Gas inlet

F: Air