



LAUNDRY | LAUNDRY2GO

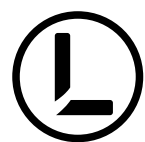


MOBILITY FOR LAUNDRY



LAUNDRY2GO

SYSTEM OF TRANSPORTABLE MODULES BY FAGOR



LAUNDRY2GO



SYSTEM OF TRANSPORTABLE
MODULES BY FAGOR

CONTENTS

MOBILITY FOR LAUNDRY
04

DESIGN YOUR LAUNDRY2GO
06

APPLICATIONS
12

READY TO CLEAN, READY TO MOVE
14



MOBILITY FOR LAUNDRY.

System of transportable modules, fully equipped and with different configuration options. Allows the creation of laundry establishments in just one step.

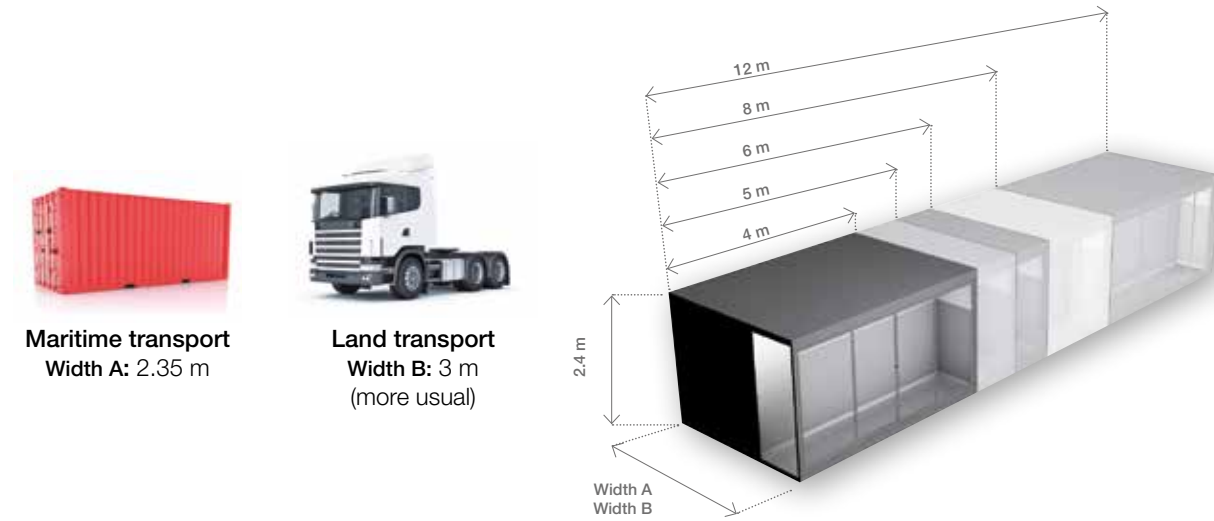
DESIGN YOUR
LAUNDRY2GO.



DESIGN YOUR MODULE

Choose the configuration options that best meet your needs.

DIMENSIONS / TYPE OF TRANSPORT



Maritime transport
Width A: 2.35 m

Land transport
Width B: 3 m
(more usual)



CLOSED

OPEN

DOUBLE

BUILD CERTIFICATE AND EEC CERTIFICATES

Metal structure manufactured according to Regulation (EU) No 305/2011 of the European Parliament and of the Council of 9 March 2011 laying down harmonised conditions for the marketing of construction products, for the Control of Production in Factory of Metal Structures for the EC Market, and the scope of which is the Design, manufacture and assembly of metal construction and structures. Follow-up and inspection is carried out by the certification body TÜV Rheinland; granting the Control of Production in Factory (CPF) conformity certificate, based on regulation UNE-EN 1090:2011+A1 Execution of steel structures and aluminium structures.

Part 1: Requirements for the assessment of conformity of structural components.

Part 2: Technical requirements for the execution of steel structures. EXC-3 2+



DESIGN THE INTERIOR

The standard module has been designed to be very bright, with a front façade that allows the elegance of its interior to be seen.



WASHERS



8 / 10 Kg

PROFESSIONAL WASHERS



11 / 14 / 18 / 25 Kg

HIGH SPEED WASHERS



11 / 14 / 18 / 25 Kg

MEDIUM SPEED WASHERS
LOW SPEED WASHERS

DRYERS



8 / 10 Kg

PROFESSIONAL DRYERS



11 / 16 / 23 / 28 Kg

ADVANCE DRYERS



11 / 16 Kg

DOUBLE STACKING DRYERS



11 / 16 / 23 Kg

HEAT PUMP DRYERS

ADDITIONAL PERSONALISATION OPTIONS

There are other options available to complete the personalisation of your module, such as the colour of the structure, accessories, etc.

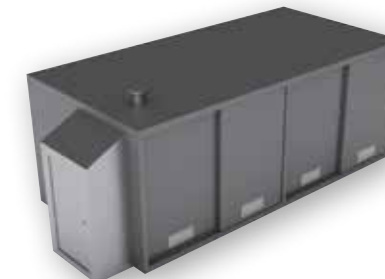
- HEATING SYSTEM OF THE WATER

(electric, natural gas or propane gas).

- Propane gas side compartment

- Air conditioning.
- Double panel door.
- Access ramp for people with disabilities.
- Extra grills for domotic ventilation.
- Stainless steel structure.

PROPANE GAS SIDE COMPARTMENT



AUXILIARY MACHINES



PAY STATIONS

COIN PAYMENT KIT

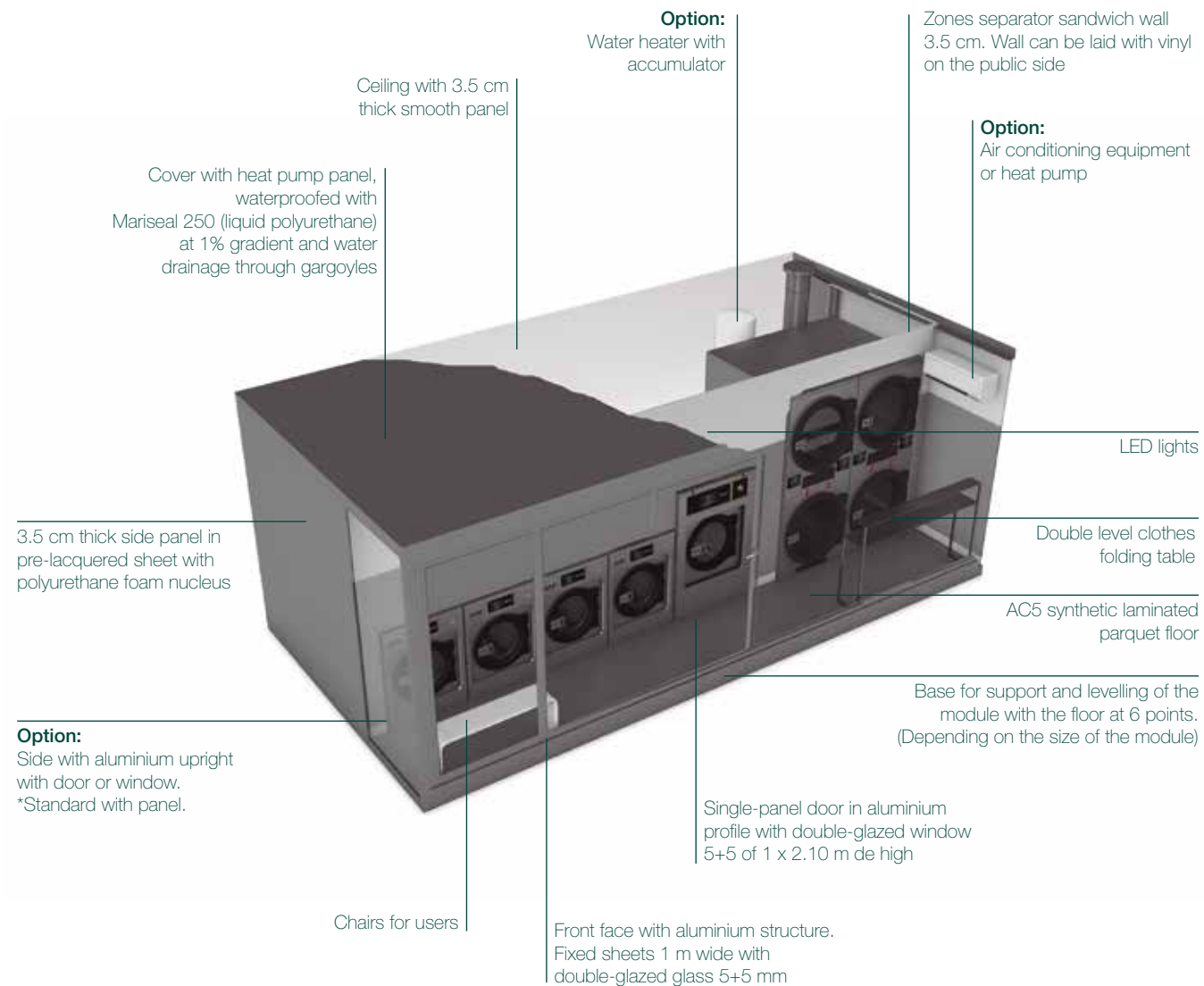
IOT CONNECTION KIT



WE MAKE YOUR PROJECT TO MEASURE

The module is designed to create an attractive space for the customer at the same time as allowing optimum service provision and maintenance. A module which looks wonderful from the outside, with a large glass façade so that people can recognise your business.

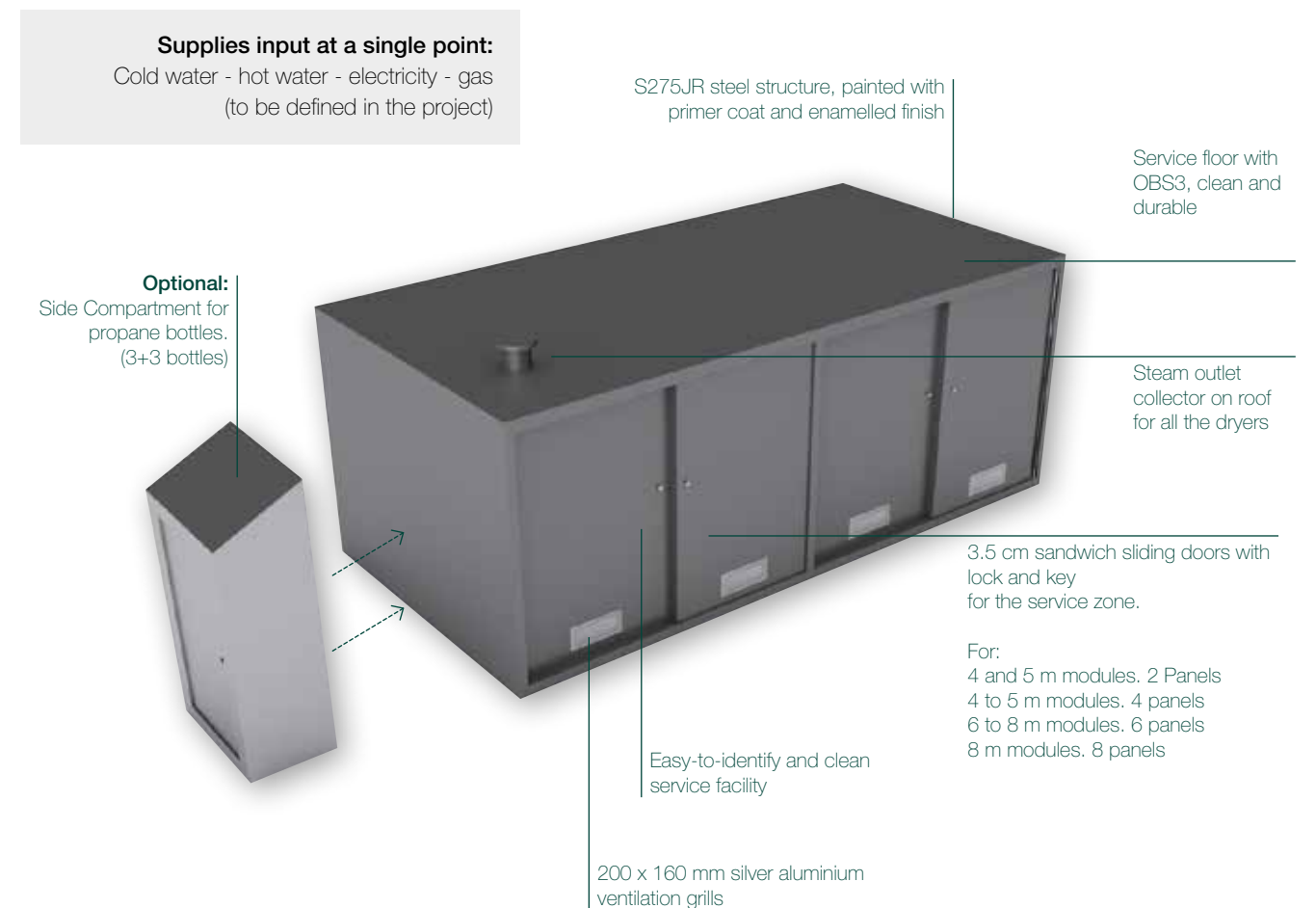
FRONT VIEW | PUBLIC ZONE



SERVICE AND MAINTENANCE: AS EASY AS IT COMES.

The back part is the service zone, where we need to provide easy access to the machinery and all their accessories. How? By incorporating sliding doors.

BACK VIEW | SERVICE ZONE



- All the installations relating to the machines come ready installed.
- The machines can be levelled at the top, meaning they require the manufacture of baseboards in the container.

- The machines and baseboards are anchored to the floor.
- The module is designed to be transported with the machines inside.

APPLICATIONS

- PETROL STATIONS
- CAR WASH TUNNELS
- MOTORWAY SERVICE AREAS
- PUBLIC CAR PARKS
- MASS-ATTENDANCE EVENTS
- HYPERMARKETS / SUPERMARKETS
- TEMPORARY LAUNDRIES: NATURAL DISASTERS,
FOREST FIRE ZONES
- CAMP SITES
- INVESTORS
- MILITARY ACTIONS
- MINING CAMPS



LISTO PARA LIMPIAR, LISTO PARA MOVERSE

4 m.



5 m.



4 m. "FULL PROFESSIONAL"



5 m. "FULL PROFESSIONAL"



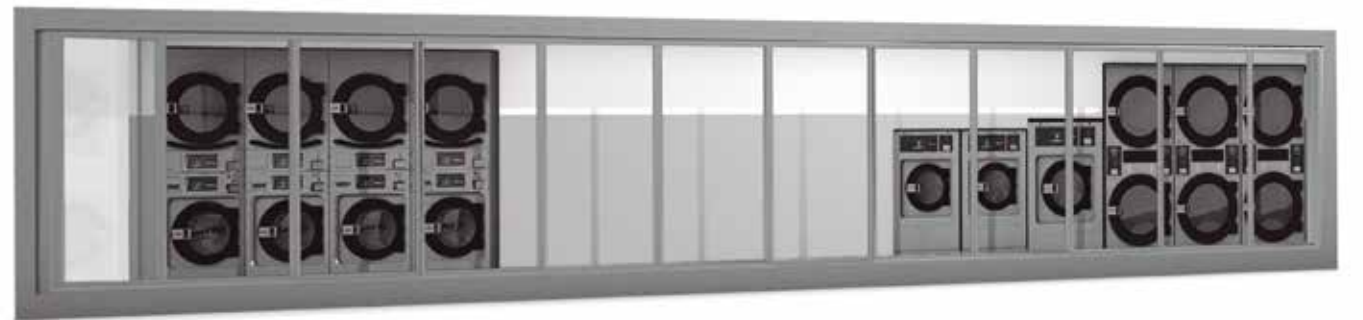
6 m.



8 m.



12 m.





FAGOR INDUSTRIAL

FAGOR INDUSTRIAL S. COOP.
Santxolopetegi auzoa, 22
20560 Oñati, Gipuzkoa (España)
T. (+34) 943 71 80 30
F. (+34) 943 71 81 81
info@fagorindustrial.com

www.fagorindustrial.com



ISO 9001



ONNERA GROUP